

SCHWEIZER MODEL 269C-1 HELICOPTER
ILLUSTRATED PARTS CATALOG

SECTION 7

INTERIOR INSTALLATION

This page is intentionally left blank.

SECTION 7 TABLE OF CONTENTS

7-1	FURNISHINGS INSTALLATION	7-4
7-2	SAFETY HARNESS INSTALLATION	7-6
7-3	FIRE EXTINGUISHER INSTALLATION	7-8
7-4	FIRST AID KIT INSTALLATION	7-10

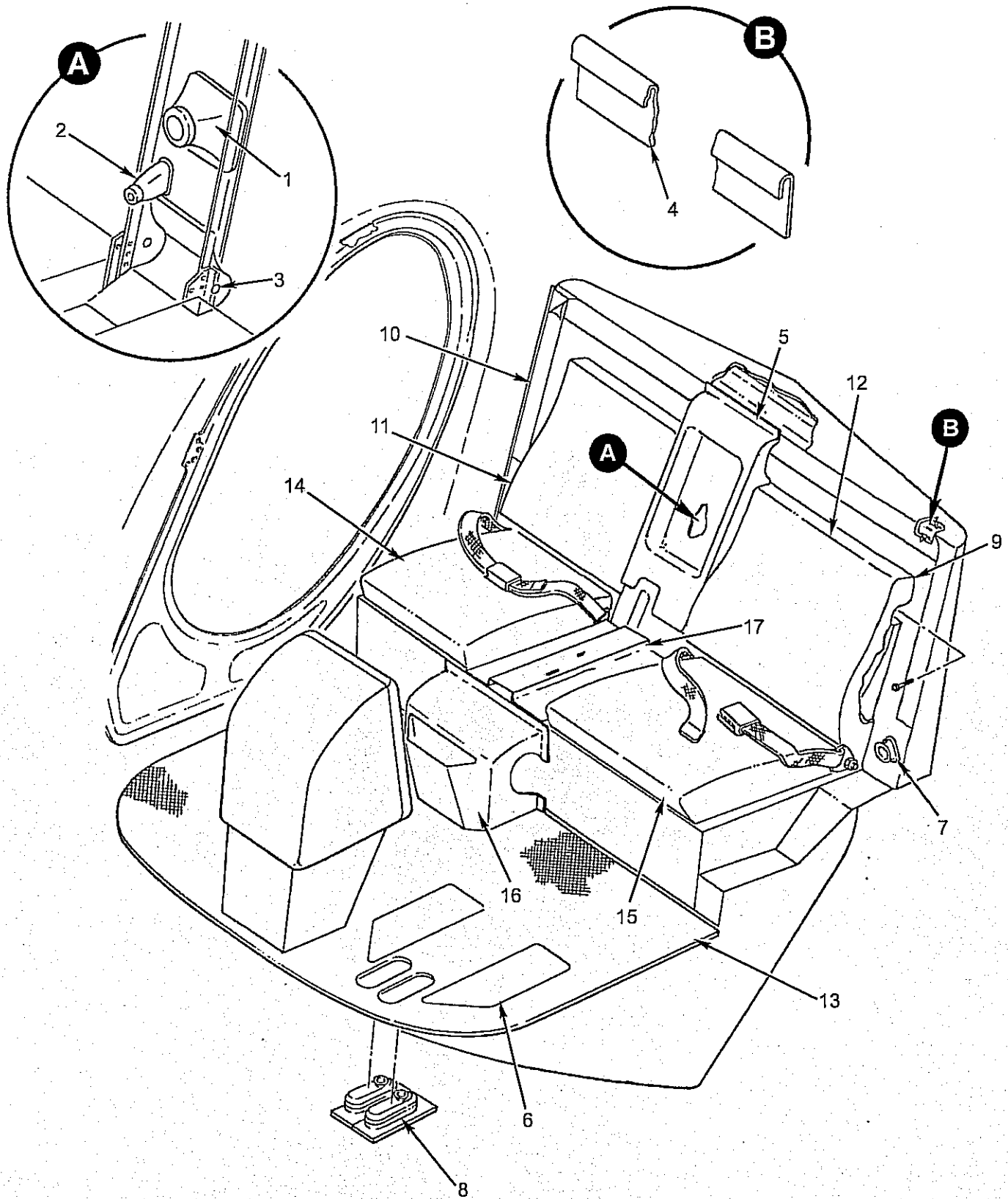


Figure 7-1. Furnishings Installation

FIGURE & INDEX NUMBER	PART NUMBER	DESCRIPTION	QTY PER ASSY	A/C SERIAL NUMBER AFFECTED
7-1	269A4063	FURNISHINGS INSTALLATION		
-1	269A4031-9	• BOOT	1	
-2	269A4031-7	• BOOT	1	
-3	269A4031-5	• BOOT	1	
-4	269A4038-19	• RETAINER	2	
-5	269A4066-1	• CONTROL COVER ASSY.	1	
-6	269A4019-19	• HEEL PLATE	4	
-7	269A4031-3	• BOOT	1	
-8	269A4030-3	• BOOT	4	
-9	269A4044-11	• CUSHION SUPPORT - BACK LH	1	
-10	269A4044-12	• CUSHION SUPPORT-BACK RH	1	
-11	269A4041-141	• SEAT CUSHION - BACK RH	1	
-12	269A4041-139	• SEAT CUSHION - BACK LH	1	
-13	269A4064-1	• FLOOR COVERING	1	
	269A4064-3	• FLOOR COVERING - GLOVE BOX	1	
-14	269A4039-191	• SEAT CUSHION - BOTTOM RH	1	
-15	269A4039-161	• SEAT CUSHION - BOTTOM LH	1	
-16	269A4471-1	• COVER ASSY-CYCLIC	1	
-17	269A4065-1	• COVER (RB 269A4065-17)	1	0001-0138
	269A4065-17	• COVER	1	0139 & Subs.

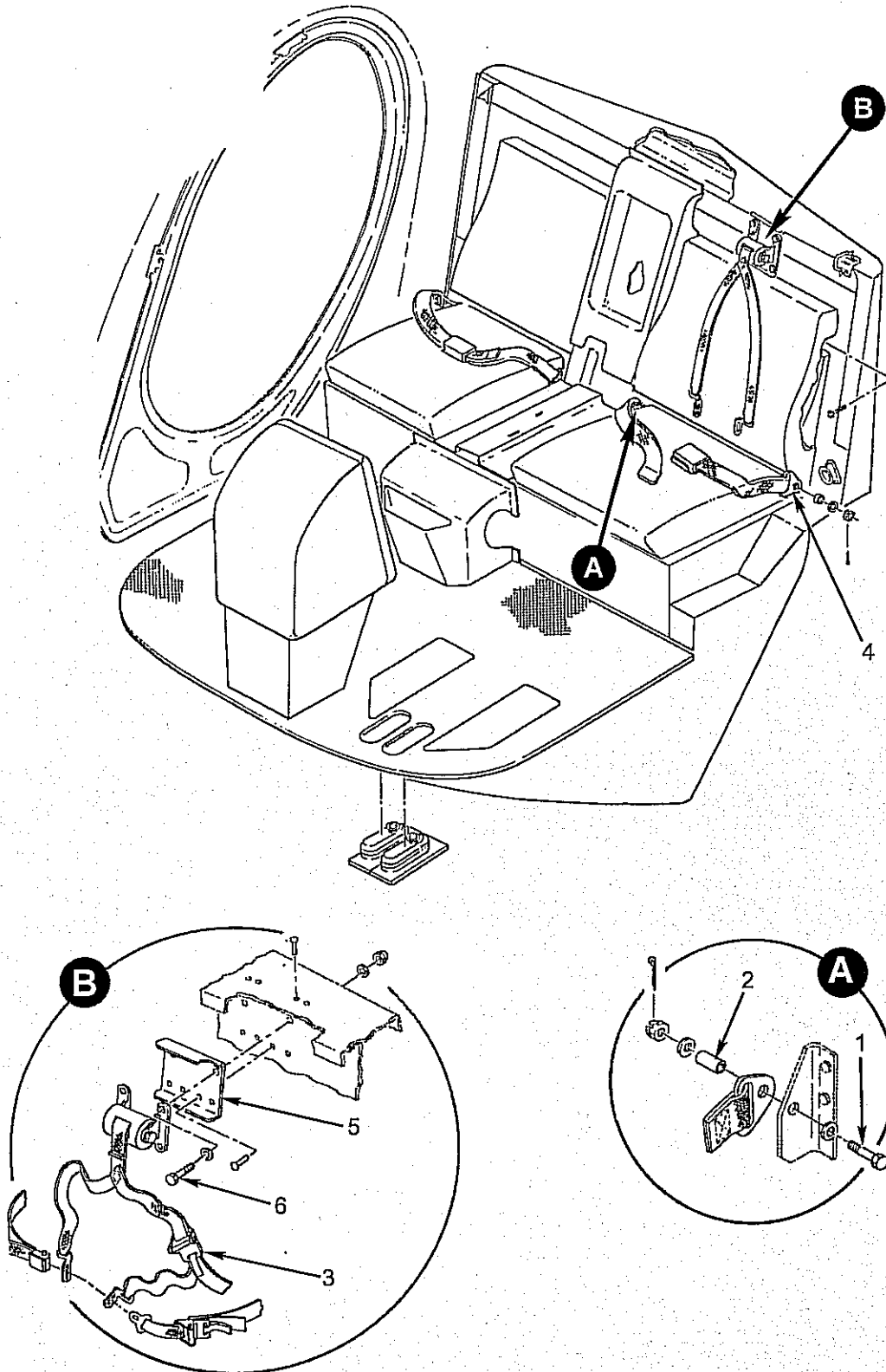


Figure 7-2. Safety Harness Installation

FIGURE & INDEX NUMBER	PART NUMBER	DESCRIPTION	QTY PER ASSY	A/C SERIAL NUMBER AFFECTED
7-2	269A4258	SAFETY HARNESS INSTL		
-1	AN4-6	• BOLT	4	
	SHS306-326H	• WASHER (UNDER NUT)	4	
	MS17826-4	• NUT	4	
	AN381-2-10	• COTTER PIN	2	
	AN960KD416L	• WASHER (UNDER BOLT HEAD)	4	
-2	SHS13C12-250-250	• BUSHING	2	
-3	269A4262-17	• SHOULDER HARNESS & SEAT BELT ASSY. (RB 269A4262-23)	2	
	269A4262-19	• SEAT BELT	2	
	269A4262-21	• SHOULDER HARNESS	2	
	269A4262-23	• SHOULDER HARNESS & SEAT BELT ASSY. (RP 269A4262-23)	2	
	269A4262-25	• SEAT BELT	2	
	269A4262-27	• SHOULDER HARNESS	2	
-4	269A4262-19	• SEATBELT ASSY.	2	
	269D9026-1	• SLEEVE	1	0131 & Subs.
-5	269A4263-3	• DOUBLER	1	
	CKLP5D	• RIVET (ALT P164-3)	4	
-6	AN3-5A	• BOLT	4	
	AN960KD10L	• WASHER	4	
	MS9365-1032	• NUT	4	

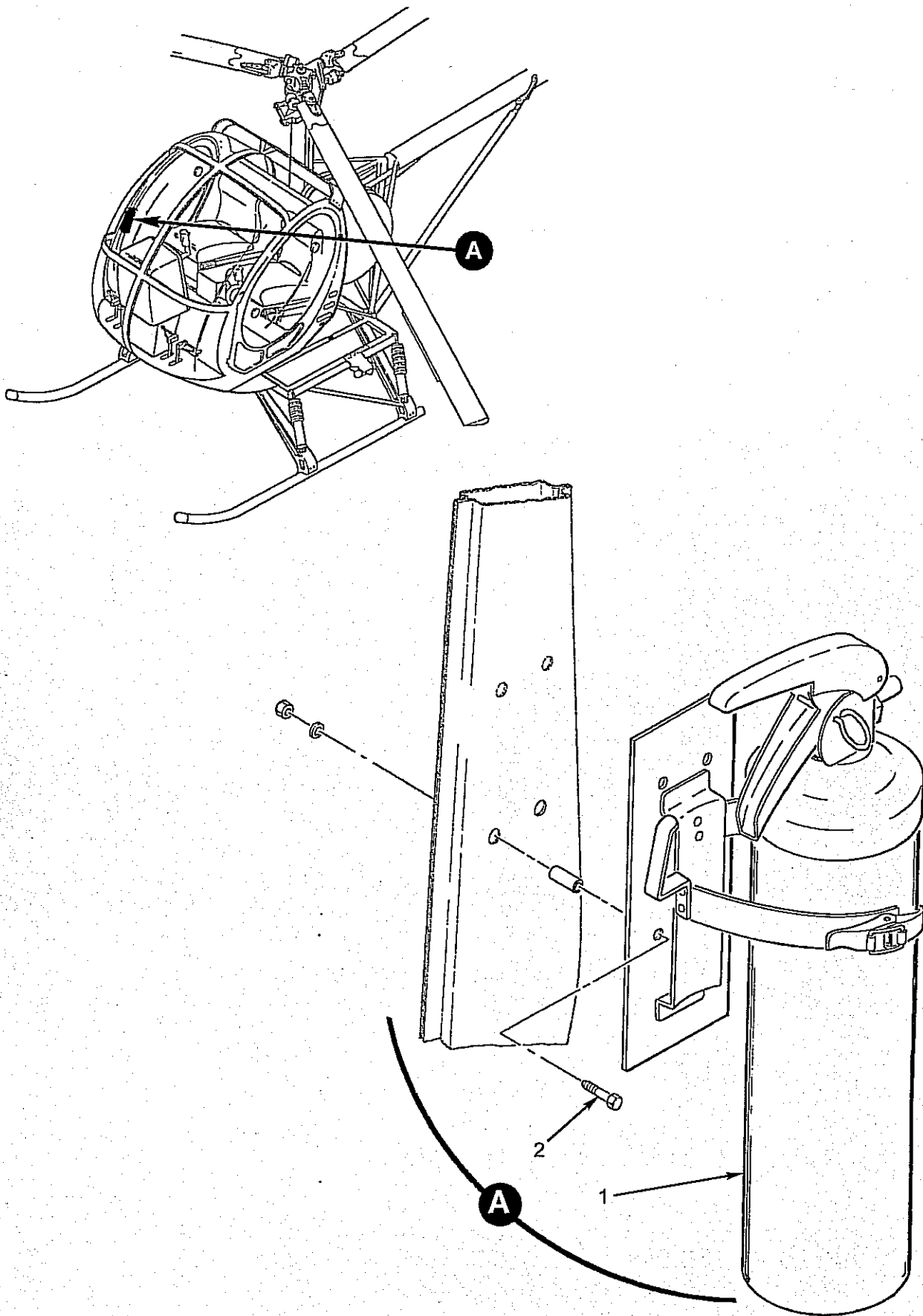


Figure 7-3. Fire Extinguisher

FIGURE & INDEX NUMBER	PART NUMBER	DESCRIPTION	QTY PER ASSY	A/C SERIAL NUMBER AFFECTED
7-3	269A4884	FIRE EXTINGUISHER		
-1	KCP-2.5 352-T	<ul style="list-style-type: none"> • FIRE EXTINGUISHER • FIRE EXTINGUISHER (HALON 12). 	1 1	
-2	AN3-11A AN960KD10L NAS43DD3-56 22K2-02	<ul style="list-style-type: none"> • BOLT • WASHER • SPACER • CAP NUT 	4 4 4 4	

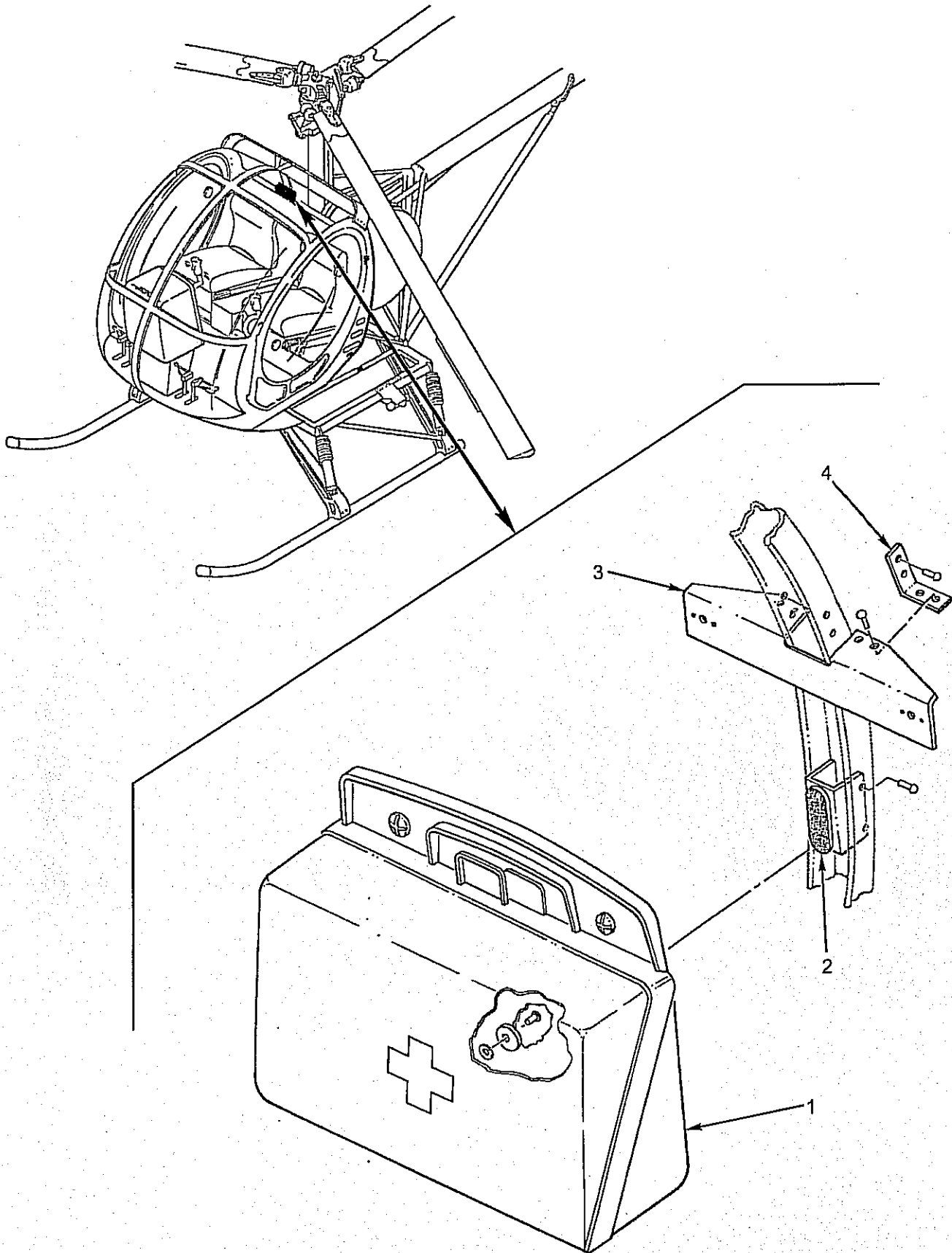


Figure 7-4. First Aid Kit Installation

FIGURE & INDEX NUMBER	PART NUMBER	DESCRIPTION	QTY PER ASSY	A/C SERIAL NUMBER AFFECTED
7-4	269A4339	FIRST AID KIT INST.		
-1	269A4196-3	• FIRST AID KIT	1	
-2	269A4338-11	• CLIP	1	
	AD42BS	• RIVET	4	
-3	269A4338-9	• BRACKET	1	
-4	269A4338-5	• ANGLE	2	
	AD42BS	• RIVETS	4	

This page is intentionally left blank.