

SCHWEIZER MODEL 269C HELICOPTER
ILLUSTRATED PARTS CATALOG

SECTION 6

ELECTRICAL SYSTEM

This page is intentionally left blank.

Table of Contents

Figure	Title	Page
6-1.	Instrument Panel Installation	6-2
6-2.	Instrument Panel Housing Assembly	6-6
6-3.	Instrument Console Housing	6-8
6-4.	Instrument Console Assembly	6-10
6-5.	Instrument Plumbing Installation	6-14
6-6.	Instrument Plumbing Installation Aft Components	6-16
6-7.	Electrical Equipment Installation, 24 volt	6-18
6-8.	Electrical Installation Components	6-20
6-9.	Battery and Relay Installation, 24 volt (Sheet 1 of 2).	6-22
6-10.	24 Volt External Receptacle Installation	6-26

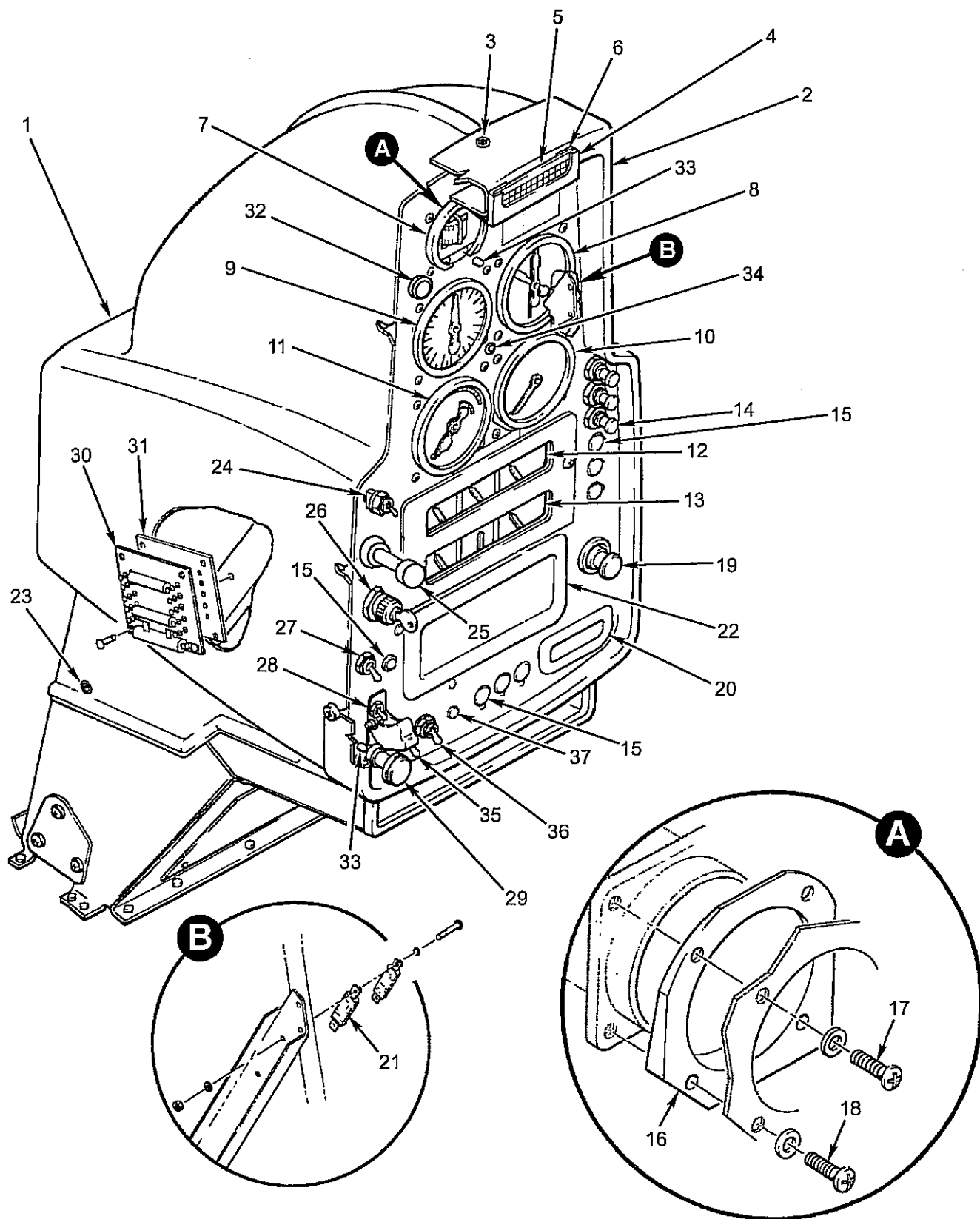


Figure 6-1. Instrument Panel Installation

FIGURE & INDEX NUMBER	PART NUMBER	DESCRIPTION	QTY PER ASSY	A/C SERIAL NUMBER AFFECTED
6-1	269A4804	INSTRUMENT PANEL INST.		
-1	269A4859-7	• FAIRING ASSY - LH.	1	
	269A4859-8	• FAIRING ASSY - RH.	1	
-2	269A4845-9	• GLARE SHIELD	1	
-3	SFSW8C9CP-LOIBK	• PAN-L-SCREW	8	
-4	269A4853-7	• CARD HOLDER - COMPASS	1	
-5	269A4834-3	• CARD - COMPASS	1	
-6	269A4896	• COVER	1	
-7	269A4604T	• COMPASS	1	
	MS25237-327	• • LAMP	1	
-8	269A4697-3	• ALTIMETER (RB 269A4437-1)	1	1166 - 1544
	269A4437-1	• ALTIMETER	1	1545 & Subs.
-9	269A4600-9	• AIRSPEED INDICATOR (RB 269A4600-13)	1	1166 - 1169
	269A4600-13	• AIRSPEED INDICATOR	1	1170 & Subs.
-10	269A4250-11	• MANIFOLD PRESSURE GAUGE	1	
-11	269A4251-11	• TACHOMETER	1	
-12	269A4106	• INSTRUMENT CLUSTER ASSY	1	
	269A4106-3	• INSTRUMENT CLUSTER ASSY (Optional 49 Gal Fuel Sys).	1	
	269A4106-13	• INSTRUMENT CLUSTER ASSY (Optional 63 Gal Fuel Sys).	1	
	6246-00282	• • FUEL QUAN (30 Gal Calibration)	1	
	6246-00501	• • FUEL QUAN (39 Gal Calibration)	1	
	6246-00714	• • FUEL QUAN (63 Gal Calibration)	1	
	6246-00283	• • FUEL PRESSURE IND.	1	
	6246-00284	• • CYL. HEAD TEMP. IND.	1	
-13	269A4107	• INSTRUMENT CLUSTER ASSY (RB 269A4107-609)	1	1166 - 1457 1459 - 1609 1611 - 1617 1458 - 1610 1618 - 1655 1660, 65, 68 1670 - 1673 1677 - 1716 1656 - 1659 1661 - 1664 1666, 67, 69 1674 - 1676 1723 & Subs. 1717 - 1722
	269A4107-601	• INSTRUMENT CLUSTER ASSY (RB 269A4107-609)	1	
	269A4107-605	• INSTRUMENT CLUSTER ASSY (RB 269A4107-609)	1	
	269A4107-607	• INSTRUMENT CLUSTER ASSY (RB 269A4107-609)	1	
	269A4107-609	• INSTRUMENT CLUSTER ASSY	1	
	269A4107-611	• INSTRUMENT CLUSTER ASSY (RB 269A4107-609)	1	
	6246-00285	• • OIL PRESS IND (269A4107BSC,-601,-605 RB 6246-00704).	1	
	6246-00678	• • OIL PRESS IND (269A4107-607 RB 6246-00704).	1	
	6246-00704	• • OIL PRESS IND (269A4107-609)..	1	
	6246-00703	• • OIL PRESS IND (269A4107-611 RB 6246-00704).	1	
	6246-00286	• • OIL TEMP IND (Standard Calibration 269A4107(BSC),. (Modified Calibration 269A4107-601, -605, -611 RB 6246-00679)	1	
	6246-00679	• • OIL TEMP IND (269A4107-607 and -609).	1	
	6246-00189	• • AMP METER (269A4107(BSC), -601, -605, and -611). (RB 6246-00680)	1	
	6246-00680	• • AMP METER (269A4107-607 and -609).	1	

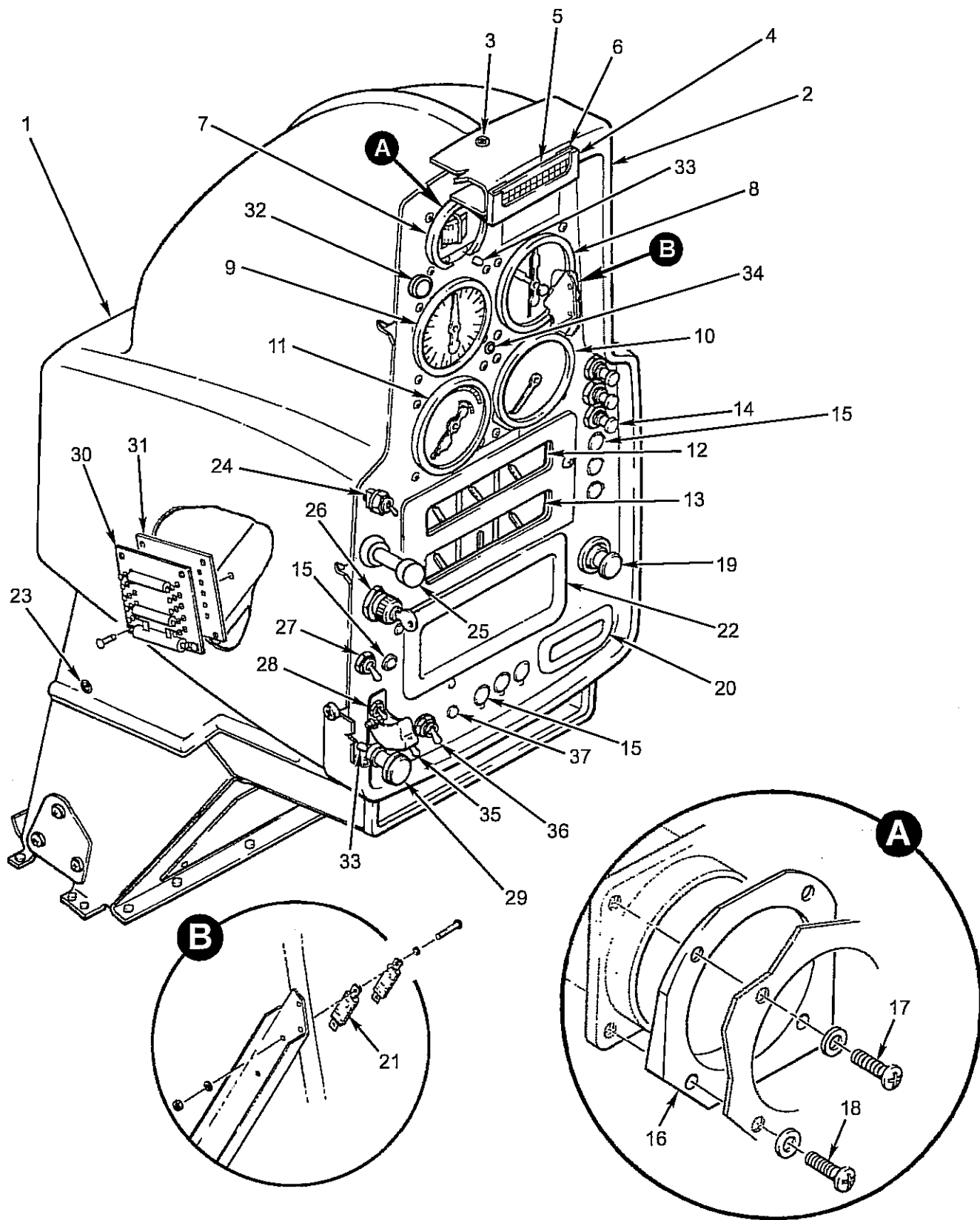


Figure 6-1. Instrument Panel Installation

FIGURE & INDEX NUMBER	PART NUMBER	DESCRIPTION	QTY PER ASSY	A/C SERIAL NUMBER AFFECTED
6-1	269A4804	INSTRUMENT PANEL INST.		
-14	MS24510-A	• CIRCUIT BREAKER (Specify Amp Rating)	AR	
-15	DP500	• PLUG	AR	
-16	269A4811	• WEDGE-COMPASS	1	
-17	AN515B6R10	• SCREW	4	
	MS33737-13	• NUT	4	
-18	AN515B6R16	• SCREW	2	
	AN960D10L	• WASHER	2	
	MS33737-13	• NUT	2	
-19	207962	• LIGHTER ASSY (24 Volt System)	1	
-20	269A4855	• ASH TRAY	1	
-21	3.5.TE-57-F-5-1	• RESISTOR	2	1166 - 1169
-22	269A4981-1	• COVER	1	
-23	SFSW8C9CP-LOIBK	• PAN-L-SCREW	2	
-24	MS24509A7.5	• SWITCH-TRIM	1	
-25	345-006-305	• MIXTURE CONTROL	1	
-26	269A4622	• MAGNETO SWITCH.	1	
-27	MS24509-A-10	• CIRCUIT BREAKER	1	
-28	7612K2	• SWITCH - CLUTCH	1	
	7692K13	• SWITCH - CLUTCH (Used w/ Gas Htr Kit P/N 269A4866)	1	
	269A4895	• SWITCH GUARD	1	
-29	269A4897-901	• CONTROL CABLE ASSY	1	
-30	269A4321-9	• TERMINAL BOARD	1	
-31	269A4321-5	• TERMINAL BOARD	1	
-32	L3201-AM	• LIGHT ASSY (ALT 269A4804-800)	1	1166 - 1702
	MS25237-327	• LAMP	1	
	MS25041-8	• LIGHT ASSY	1	1703 & Subs.
	MS25237-327	• LAMP	1	
-33	BEPBA07RLP	• CLUTCH LIGHT (RB SSI-LHX600SID-150 & ERG2SJ122) RB	1	269A4540-837
	SSI-LHX600SID-150	• CLUTCH LIGHT (LED)	1	
	ERG2SJ122)	• RESISTOR	1	
-34	MS25041-8	• LIGHT ASSY	1	
	MS25237-327	• LAMP	1	
-35	MS35058-22	• SWITCH, BATTERY	1	
-36	269A4613	• SWITCH, ALTERNATOR (ALT MS35059-22)	1	1166 - 1533
	MS24509A7.5	• SWITCH, ALTERNATOR	1	1534 & Subs.
-37	BS48151	• PLUG, BUTTON	1	

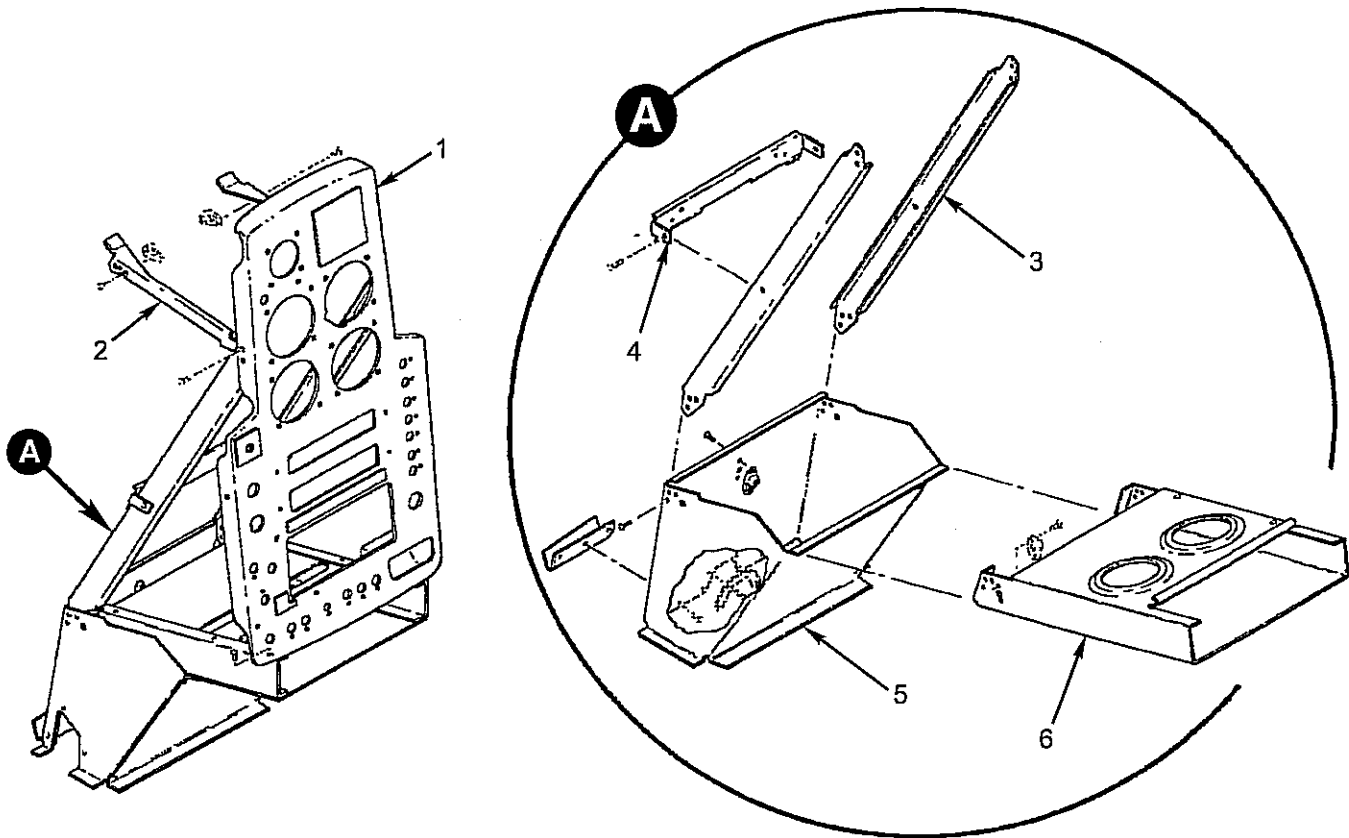


Figure 6-2. Instrument Panel Housing Assembly

FIGURE & INDEX NUMBER	PART NUMBER	DESCRIPTION	QTY PER ASSY	A/C SERIAL NUMBER AFFECTED
6-2	269A4858	INSTRUMENT PANEL HOUSING ASSY.		
-1	269A4841-31	• PANEL ASSY	1	
-2	269A4858-13	• ANGLE - L.H.	1	
	269A4858-14	• ANGLE - R.H.	1	
-3	269A4858-11	• CHANNEL - L.H.	1	
	269A4858-12	• CHANNEL - R.H.	1	
-4	269A4858-9	• BRACKET	1	
-5	269A4858-23	• BASE.	1	
-6	269A4858-25	• CASE	1	

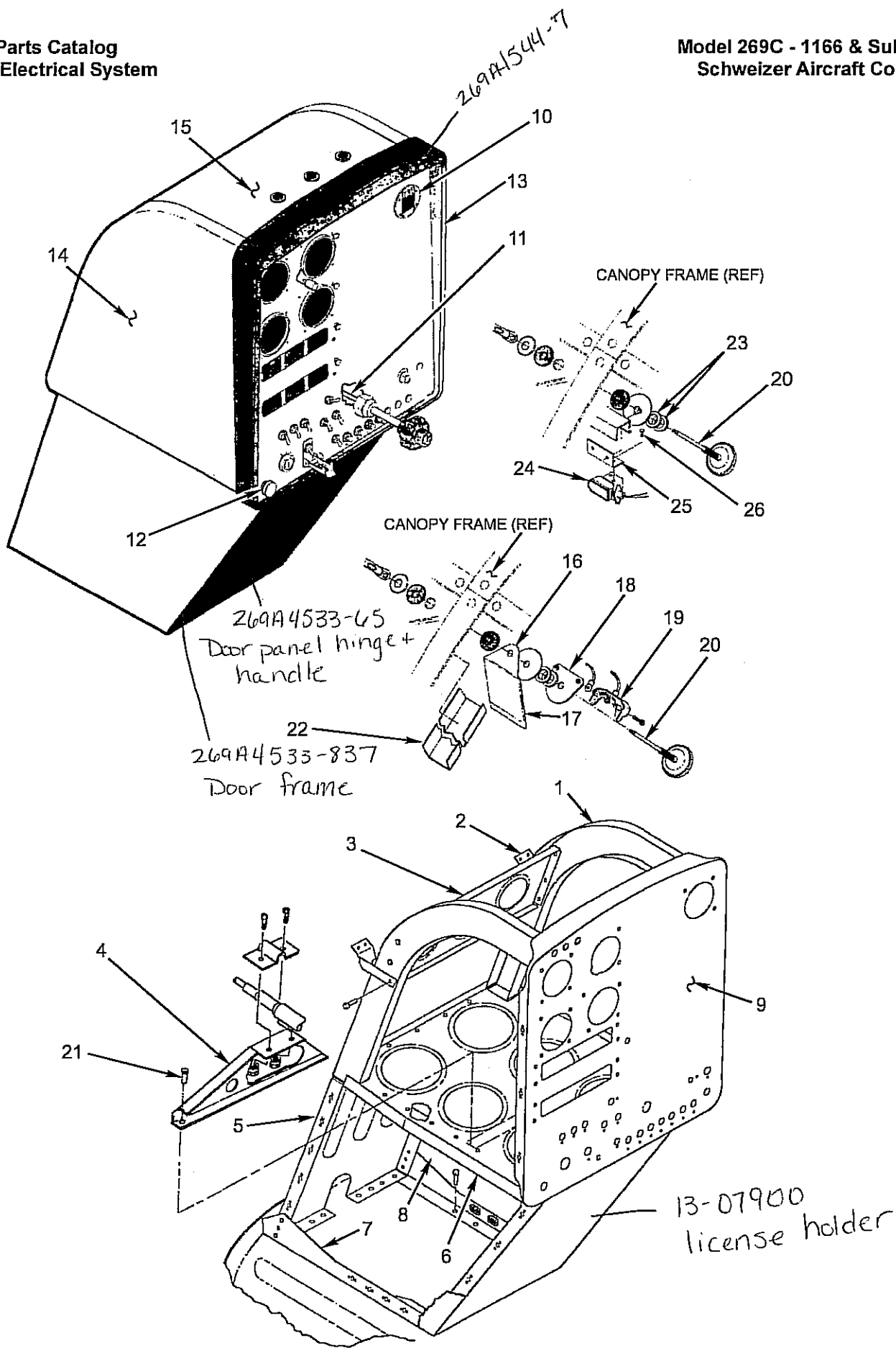


Figure 6-3. Instrument Console Housing

FIGURE & INDEX NUMBER	PART NUMBER	DESCRIPTION	QTY PER ASSY	A/C SERIAL NUMBER AFFECTED
6-3	269A4541	INSTRUMENT CONSOLE HOUSING		
-1	269A4541-21	• CHANNEL - L.H.	1	
	269A4541-22	• CHANNEL - R.H.	1	
-2	269A4541-41	• ANGLE - L.H.	1	
	269A4541-42	• ANGLE - R.H.	1	
-3	269A4541-39	• STIFFENER	1	
-4	269A4540-91	• SUPPORT	1	
	269A4540-93	• CLAMP	1	
	NAS602-6P	• SCREW	2	
	AN960KD8L	• WASHER	2	
	MS20365-832	• NUT	2	
-5	269A4533-51	• BULKHEAD ASSY	1	
-6	269A4541-23	• INCOASTAL	1	
-7	269A4533-61	• ANGLE - L.H.	1	
	269A4533-62	• ANGLE - R.H.	1	
-8	269A4533-49	• PANEL - L.H.	1	
	269A4533-50	• PANEL - R.H.	1	
-9	269A4532-13	• PANEL ASSY	1	
-10	C2300-L4-24	• COMPASS	1	
	269A4811	• WEDGE	1	
	MS35214-28	• SCREW (TOP)	2	
	MS35214-31	• SCREW (BOTTOM)	2	
	A8941-632-493	• NUT	4	
-11	345-006-305	• MIXTURE CONTROL	1	
-12	269A4897-11	• FUEL SHUT OFF CONTROL	1	
-13	269A4544-7	• COVER ASSY	1	
	269A4853-11	• CARD HOLDER	1	
-14	269A4544-5	• COVER - L.H.	1	
	269A4544-6	• COVER - R.H.	1	
-15	269A4544-3	• COVER	1	
-16	269A4949	• BRACKET	1	
-17	269A4646-201	• DECAL	1	
-18	269A4558-3	• BRACKET	1	
-19	269A4363	• LIGHT ASSY	2	
	1819	• LAMP	2	
-20	2716	• INDICATOR (ALT 1592-27)	1	
-21	MS20470AD4	• RIVET	AR	
	MS20470AD3	• RIVET	AR	
	MS20426AD4	• RIVET	AR	
-22	269A4765	• RETAINER	2	
-23	HS306-233H	• WASHER	2	
-24	A315-H1-R-28	• FLOODLIGHT	1	
-25	269A4558-9	• BRACKET	1	
-26	AD42H	• RIVET	4	

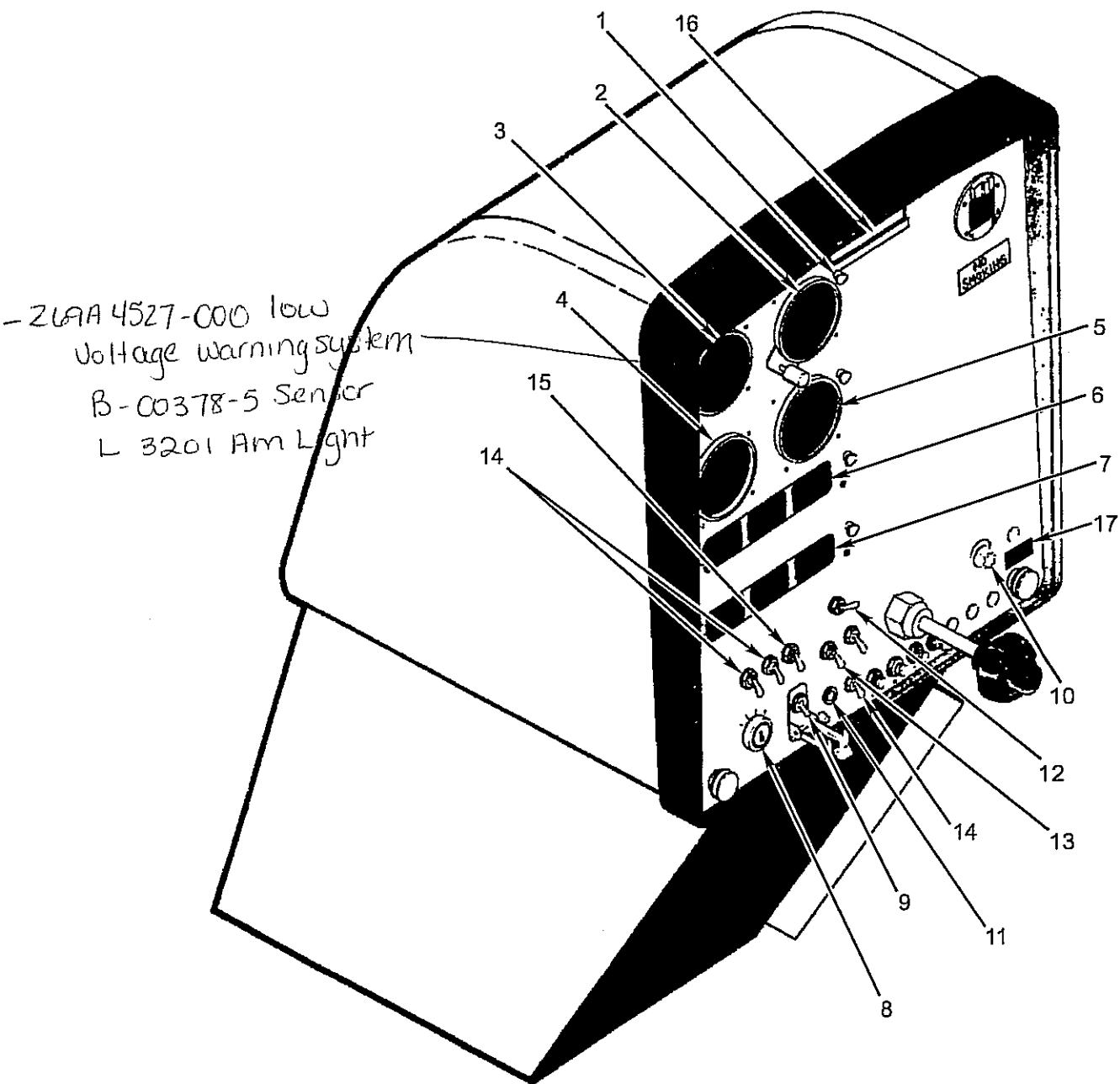


Figure 6-4. Instrument Console Assembly

FIGURE & INDEX NUMBER	PART NUMBER	DESCRIPTION	QTY PER ASSY	A/C SERIAL NUMBER AFFECTED
6-4	269A4540	INSTRUMENT CONSOLE ASSY		
-1	5952-8ND-R28	• BOLT LIGHT-RED	6	
	5952-8ND-CW28	• BOLT LIGHT-WHITE.	6	
-2	269A4437-1	• ALTIMETER	1	
-3	269A4600-13	• AIRSPEED	1	
-4	269A4251-11	• TACHOMETER	1	
-5	269A4250-11	• MANIFOLD PRESSURE GAUGE	1	
-6	269A4106	• INSTRUMENT CLUSTER ASSY	1	
	269A4106-3	• INSTRUMENT CLUSTER ASSY (Optional 49 Gal Fuel Sys).	1	
	269A4106-13	• INSTRUMENT CLUSTER ASSY (Optional 63 Gal Fuel Sys).	1	
	6246-00282	• • FUEL QUAN (30 Gal Calibration)	1	
	6246-00501	• • FUEL QUAN (39 Gal Calibration)	1	
	6246-00714	• • FUEL QUAN (63 Gal Calibration)	1	
	6246-00283	• • FUEL PRESSURE IND.	1	
	6246-00284	• • CYL. HEAD TEMP. IND.	1	
-7	269A4107	• INSTRUMENT CLUSTER ASSY (RB 269A4107-609) . . .	1	1166 - 1457 1459 - 1609 1611 - 1617
	269A4107-601	• INSTRUMENT CLUSTER ASSY (RB 269A4107-609) . . .	1	1458 - 1610
	269A4107-605	• INSTRUMENT CLUSTER ASSY (RB 269A4107-609) . . .	1	1618 - 1655 1660, 65, 68 1670 - 1673 1677 - 1716
	269A4107-607	• INSTRUMENT CLUSTER ASSY (RB 269A4107-609) . . .	1	1656 - 1659 1661 - 1664 1666, 67, 69 1674 - 1676
	269A4107-609	• INSTRUMENT CLUSTER ASSY	1	1723 & Subs.
	269A4107-611	• INSTRUMENT CLUSTER ASSY (RB 269A4107-609) . . .	1	1717 - 1722
	6246-00285	• • OIL PRESS IND (269A4107BSC,-601,-605 RB 6246-00704).	1	
	6246-00678	• • OIL PRESS IND (269A4107-607 RB 6246-00704). . . .	1	
	6246-00704	• • OIL PRESS IND (269A4107-609)..	1	
	6246-00703	• • OIL PRESS IND (269A4107-611 RB 6246-00704). . . .	1	
	6246-00286	• • OIL TEMP IND (Standard Calibration 269A4107(BSC), (Modified Calibration 269A4107-601, -605, -611 RB 6246-00679)	1	
	6246-00679	• • OIL TEMP IND (269A4107-607 and -609).	1	
	6246-00189	• • AMP METER (269A4107(BSC), -601, -605, and -611). . .	1	
		(RB 6246-00680)		
	6246-00680	• • AMP METER (269A4107-607 and -609).	1	

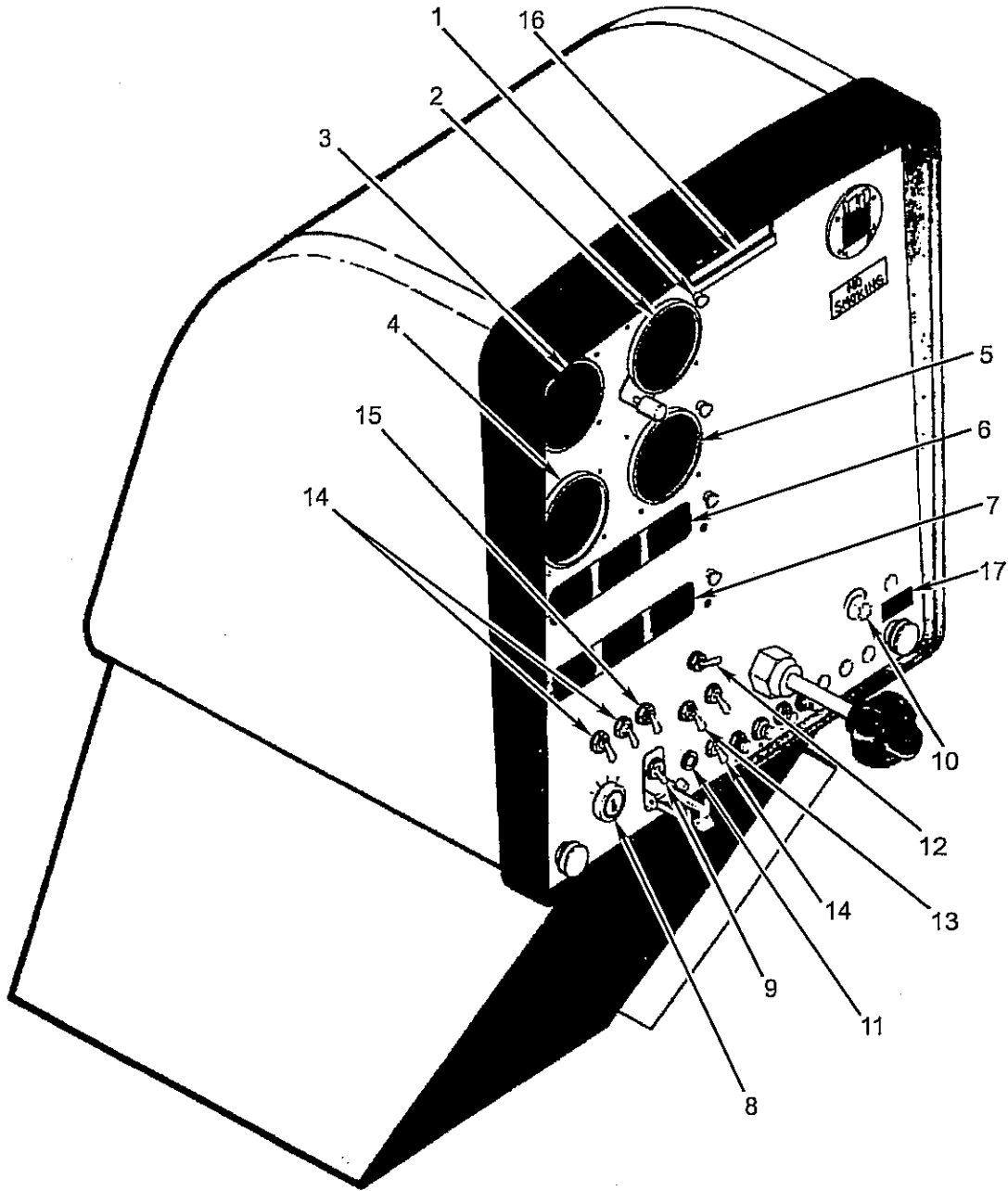


Figure 6-4. Instrument Console Assembly

FIGURE & INDEX NUMBER	PART NUMBER	DESCRIPTION	QTY PER ASSY	A/C SERIAL NUMBER AFFECTED
6-4	269A4540	INSTRUMENT CONSOLE ASSY		
-8	269A4622	▪ SWITCH - MAGNETO	1	
-9	7612K2	▪ SWITCH - CLUTCH	1	
	7612K13	▪ SWITCH - CLUTCH (Used w/ Gas Htr Kit P/N 269A4866)	1	
	269A4895	▪ SWITCH - GUARD	1	
-10	269A4246-9	▪ RHEOSTAT.	1	
	5151	▪ KNOB	1	
-11	269A4540-837	▪ LIGHT - CLUTCH DISENGAGE (RB SSI-LXH600SID-150)	1	1166 - 1861
	SSI-LXH600SID-150	▪ LIGHT - CLUTCH DISENGAGE	1	1862 & Subs.
	ERG2SJ122	▪ RESISTOR (Required with SSI-LXH600SID-150)	1	
-12	MS35058-23	▪ SWITCH - TRIM	1	
-13	MS35058-22	▪ SWITCH - BATTERY/ALTERNATOR	2	
-14	MS24509A10	▪ CIRCUIT BREAKER/SWITCH.	3	
-15	MS24509A7.5	▪ CIRCUIT BREAKER/SWITCH.	1	
-16	269A4834-8	▪ CARD	1	
	269A4896	▪ COVER	1	
-17	85000	▪ HOBBS HOUR METER.	1	1750 & Subs.

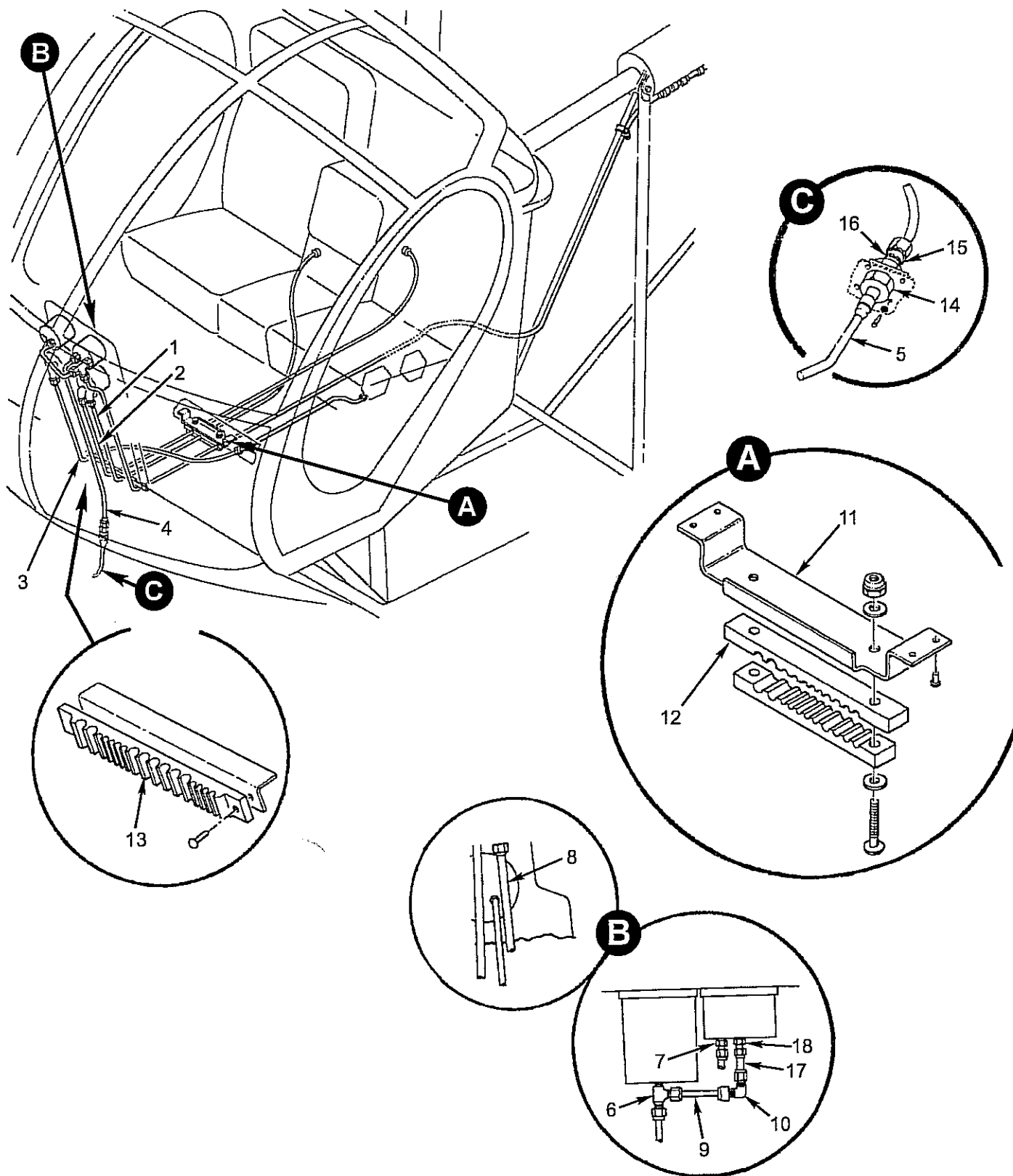


Figure 6-5. Instrument Plumbing Installation

FIGURE & INDEX NUMBER	PART NUMBER	DESCRIPTION	QTY PER ASSY	A/C SERIAL NUMBER AFFECTED
6-5	269A4005	INSTRUMENT PLUMBING INST.		
-1	269A4618-3	• SHAFT ASSY - ENGINE TACH	1	
-2	269A4619-5	• SHAFT ASSY - ROTOR TACH (CABLE ASSY)	1	
-3	269A8328-15	• TUBE ASSY - MANIFOLD PRESSURE	1	
-4	269A8328-17	• TUBE ASSY - PITOT AIR	1	
-5	269A4572-5	• TUBE ASSY - PITOT	1	
-6	NY-400-3TMT	• MALERUN TEE (ALT M26602831)	1	
-7	AN816-4D	• NIPPLE	1	
-8	269A8328-41	• TUBE ASSY - STATIC AIR.	1	
-9	269A4540-079	• TUBE (NYLAFLOW PRESS TUBE HDI-10922)	1	
-10	NY-400-9	• ELBOW 90°	1	
-11	269A4009	• BRACKET	1	1166-1765
-12	269A4008	• FAIRLEAD	1	1166 - 1169
	269A4024-1	• FAIRLEAD	2	1170 & Subs.
-13	269A4570	• TUBE CLAMP	1	
-14	AN818-4D	• NUT	1	
-15	6-4TETXS	• REDUCER	1	
-16	4-V6X-S	• 45° FITTING (Used When Paravion Heater is Installed)	1	
-17	269A4540-71	• TUBE (NYAFLOW PRESS TUBE HDI-10922)	1	
-18	NY400-1-2-OR	• CONNECTOR	1	

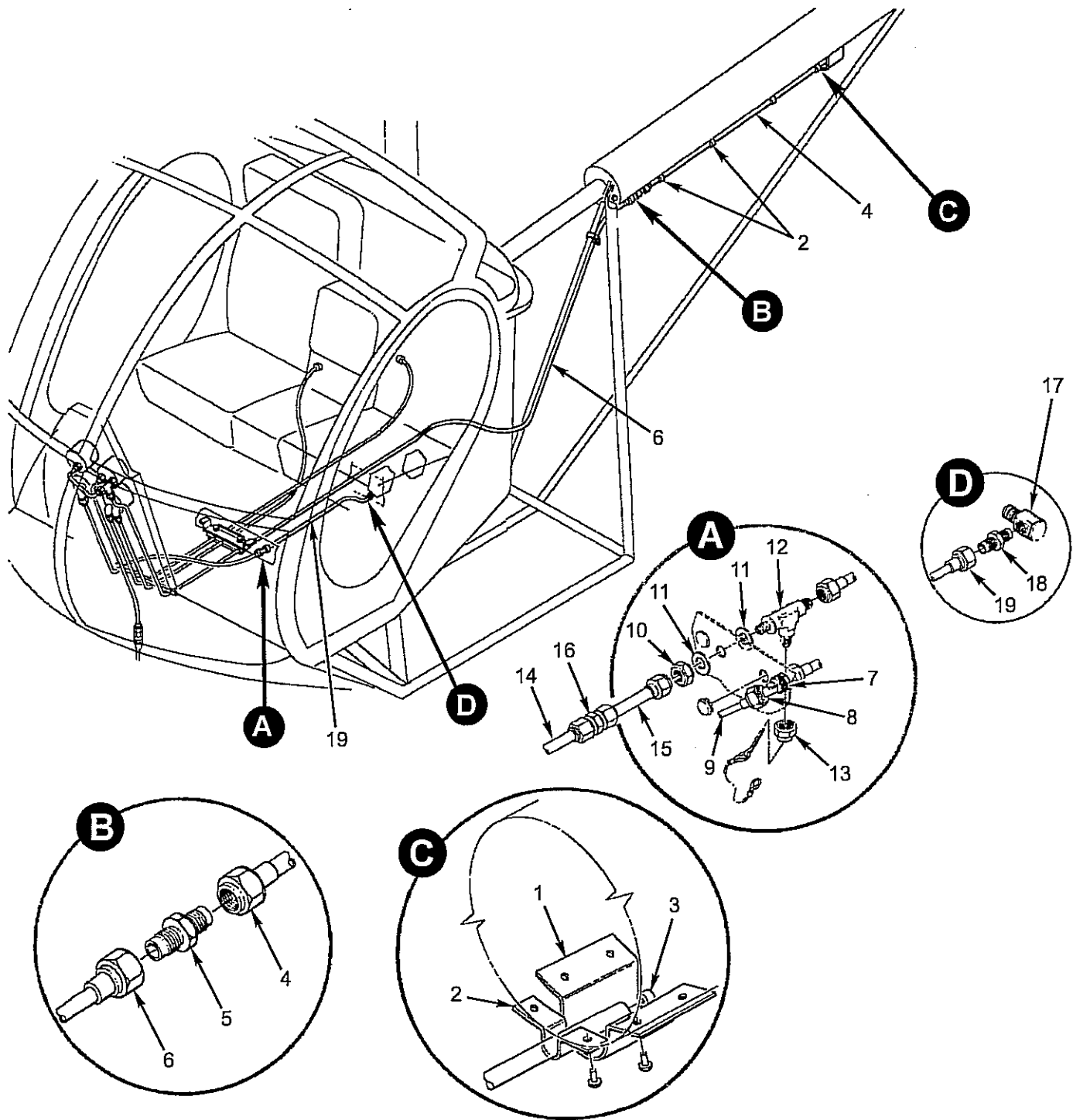


Figure 6-6. Instrument Plumbing Installation Aft Components

FIGURE & INDEX NUMBER	PART NUMBER	DESCRIPTION	QTY PER ASSY	A/C SERIAL NUMBER AFFECTED
6-6	269A4005	INSTRUMENT PLUMBING INST. AFT COMPONENTS		
-1	269A8309-5 NAS1398D4-3	• COVER - STATIC PRESSURE	1	
		• RIVETS	4	
-2	269A8309-3 NAS1398D4-3	• CLIP	4	
		• RIVETS	8	
-3	269A8309-11	• PLUG - STATIC AIR	1	
-4	269A8328-21	• TUBE ASSY - STATIC AIR.	1	
-5	269A8310	• FITTING - STATIC AIR	1	
-6	269A8328-45	• TUBE ASSY - STATIC AIR.	1	
-7	269A8308-3	• FITTING.	1	
-8	9110	• ELBOW	1	
-9	269A8328-15	• TUBE ASSY - MANIFOLD PRESS 269A8328-15	1	
-10	AN924-4D	• NUT	1	
-11	AN960KD716L	• WASHER	2	
-12	AN804D4	• TEE	1	
-13	AN929A4	• CAP	1	
-14	269A8328-41	• TUBE ASSY - STATIC AIR. (269A8328-41 is Superseded by. 269A8328-55, -59, and 269A8310 as an Assembly)	1	1166 - 1660
	269A8328-55	• TUBE ASSY - STATIC AIR.	1	1660 & Subs.
-15	269A8328-59	• TUBE ASSY - STATIC AIR.	1	1660 & Subs.
-16	269A8310	• FITTING.	1	1660 & Subs.
-17	44701	• ELBOW, STREET	1	
-18	269A8308-3	• FITTING.	1	
-19	269A8327-23	• TUBE ASSY - MANIFOLD PRESSURE	1	

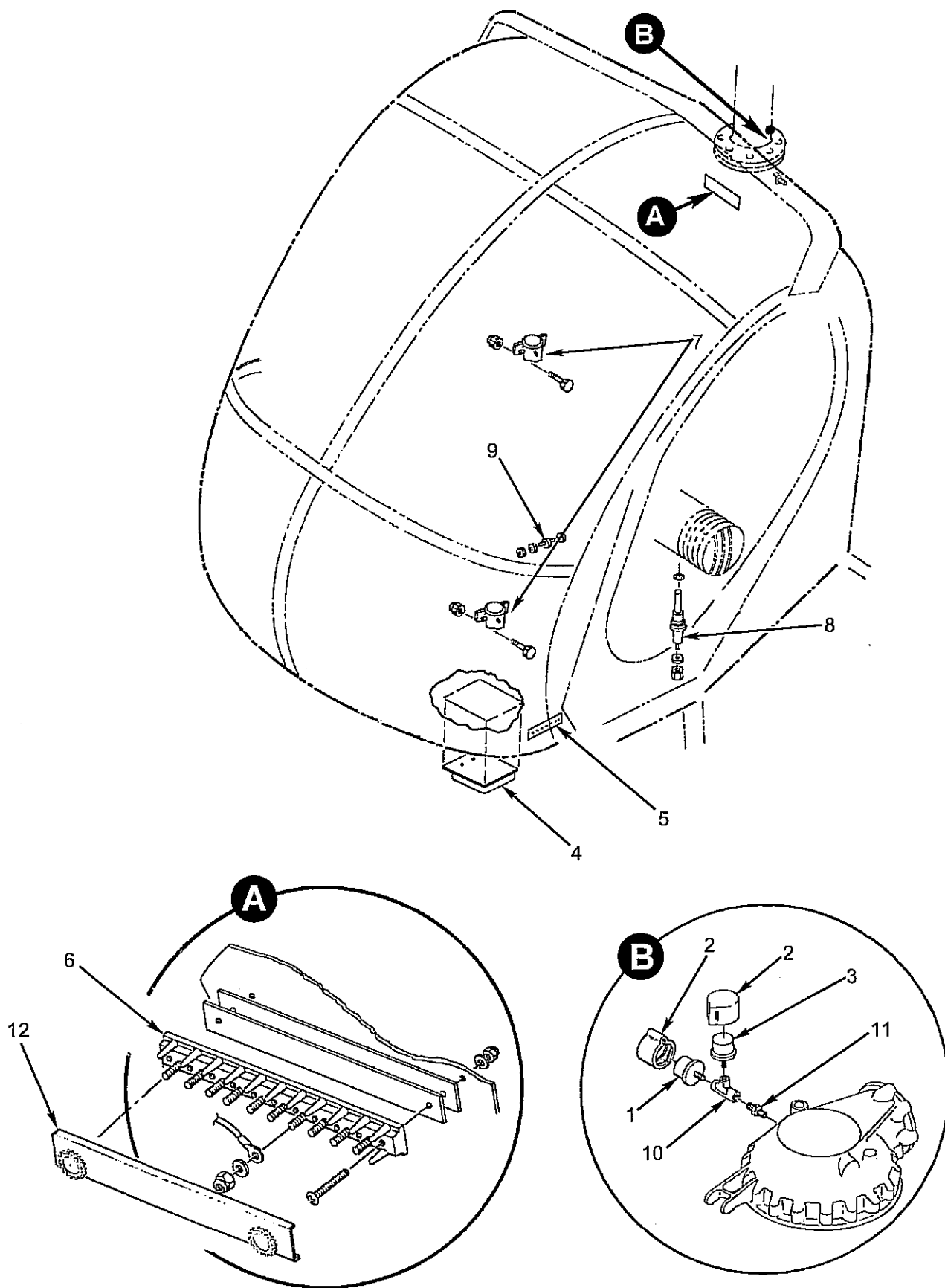


Figure 6-7. Electrical Equipment Installation, 24 volt

FIGURE & INDEX NUMBER	PART NUMBER	DESCRIPTION	QTY PER ASSY	A/C SERIAL NUMBER AFFECTED
6-7	269A4006	ELECTRICAL EQUIPMENT INST.		
-1	269A4576	• GEAR BOX OIL PRESS SWITCH (Use 269A4037 Boot) . . .	1	1166 - 1705
	269A4576-3	• GEAR BOX OIL PRESS SWITCH (Use 79380 Boot) . . .	1	1706 & Subs.
-2	269A4037	• BOOT	2	1166 - 1705
	79380	• BOOT	2	1706 & Subs.
-3	269A4789	• SWITCH - STARTER INTERLOCK (Use 269A4037 Boot) . . .	1	1166 - 1705
	269A4789-3	• SWITCH - STARTER INTERLOCK (Use 79380 Boot) . . .	1	1706 & Subs.
-4	269A4985	• ALTERNATOR CONTROL UNIT (ALT 269A4985-3) . . .	1	1166 - 1425
	269A4985-3	• ALTERNATOR CONTROL UNIT (ALT 269A4985) . . .	1	1426 - 1758
	269A4985-9	• ALTERNATOR CONTROL UNIT	1	1759 & Subs.
-5	MS27212-1-6	• TERMINAL BOARD	1	1166 - 1758
	NAS1063A10-1	• INSULATOR STRIP	1	
	STD10957D-6	• COVER ASSY	1	
-6	MS27212-1-8	• TERMINAL BLOCK	1	
	MS25227-1	• STRIP	1	
	NAS1063A10-1	• MARKER STRIP	1	
-7	SAZ 4401	• STARTER RELAY	1	
	AN4-4A	• BOLT (ALT NAS1304-1)	2	
	MS20365-428	• NUT (MS21044N4)	2	
-8	3080-00038	• CYL HEAD TEMP SENDER	1	
-9	3080-00037	• ENG OIL TEMP SENDER	1	
-10	AN917-1D	• FITTING.	1	
-11	AN911-1D	• FITTING, NIPPLE.	1	
-12	STD10957D-8	• COVER ASSY (ALT MS518029-1S-20).	1	

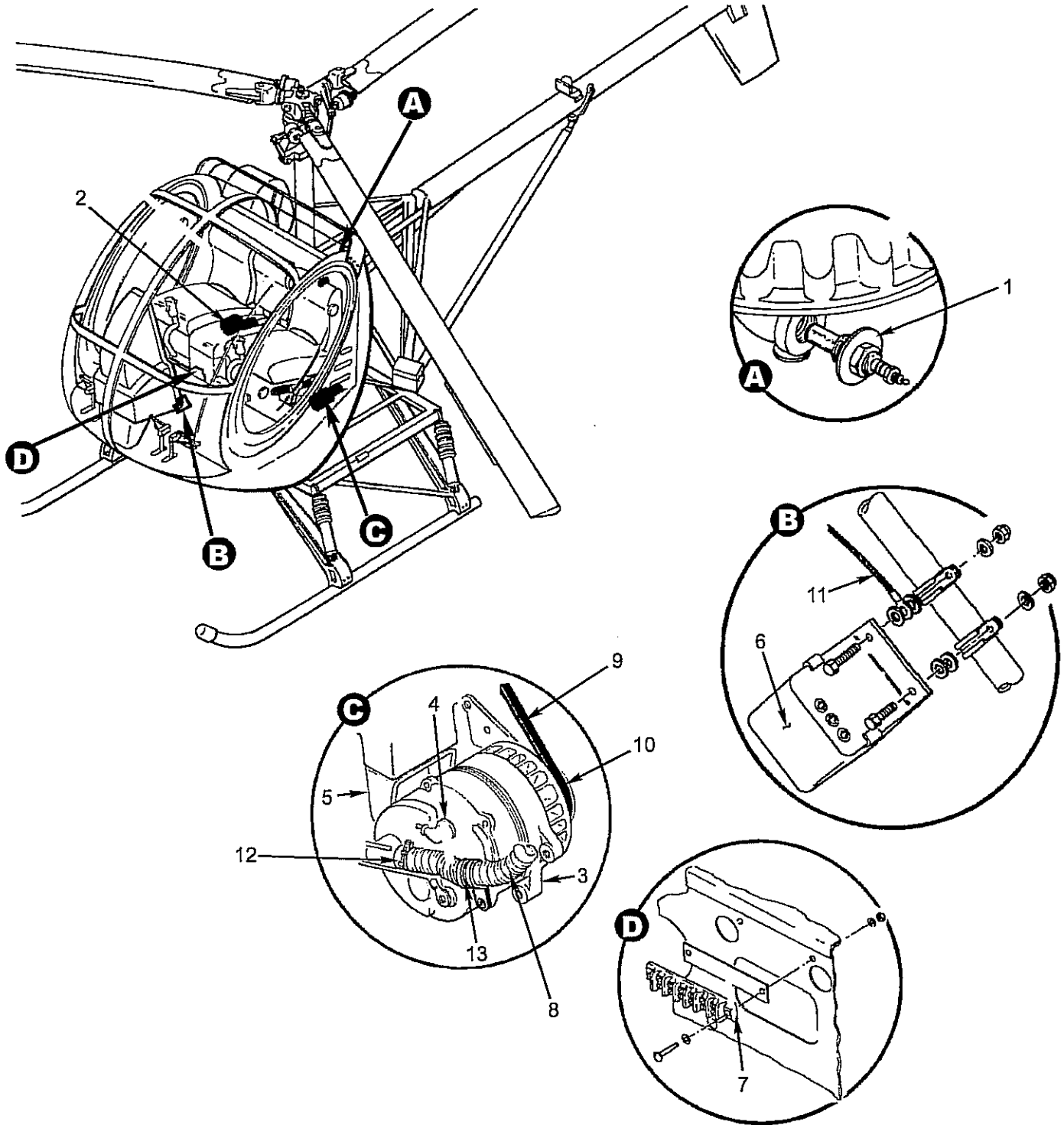


Figure 6-8. Electrical Installation Components

FIGURE & INDEX NUMBER	PART NUMBER	DESCRIPTION	QTY PER ASSY	A/C SERIAL NUMBER AFFECTED
6-8	269A4006 269A4989	ELECTRICAL INST. COMPONENTS		
-1	269A4611	• GEAR BOX OIL TEMP SWITCH	1	
-2	LW15574 31B22111	• STARTER ASSY (ALT MHB4020R) • STARTER ASSY, LITE WEIGHT (ALT 149-24HT)	1 1	
-3	LW14357	• ALTERNATOR, 70 AMP (ALT ALU8421RS)	1	
-4	269A4682-1 269A4682-2	• NIPPLE • NIPPLE (ALT MS25171-2S)	2 1	
-5	LW10382	• ALTERNATOR BRACKET (LYCOMING PART)	1	
-6	269A4623-11 KS-1001 MS21919DG10 AN3-4A AN960KD10 MS21042-3	• STARTER VIBRATOR (Bendix Magnetos)(ALT 269A4623-15) • STARTER VIBRATOR (Use with Slick Magnetos only). • CLAMP • BOLT (ALT NAS1303-2) • WASHER • NUT	2 2 4 4 4 4	1166 - 1753 1754 & Subs.
-7	11-141 MS11-141 AN515-4R6 AN960KD4L MS21044N04	• TERMINAL BLOCK (ALT MS27212-1-8) • MARKER STRIP (ALT NAS1063A10-1) • SCREW • WASHER • NUT	1 1 2 4 2	
-8	269A8517 1.0SCAT4 76157(37A19773-382)	• ALTERNATOR COOLING TUBE • TUBING (ALTERNATE). • ALTERNATOR BELT (70 AMP) (ALT. 37A19773-382)	1 1 1	1166 & Subs.
-9	78186	• DRIVE PULLEY, ALTERNATOR (LYCOMING PART)	1	
-10	6752-3-7	• JUMPER	1	
-11	AN737TW38	• CLAMP	2	
-12	MS21919WDG16	• CLAMP	1	

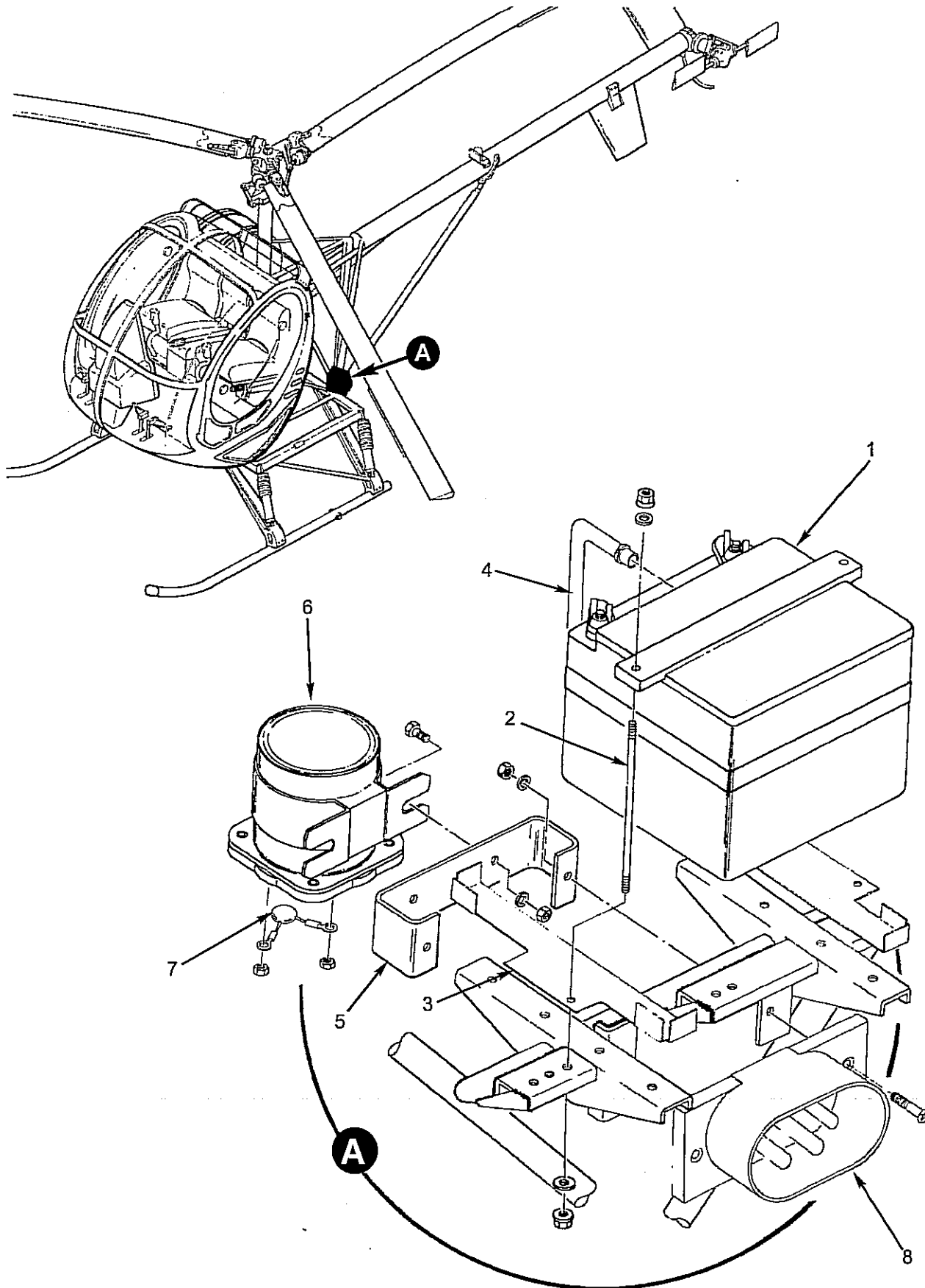


Figure 6-9. Battery and Relay Installations, 24 volt (Sheet 1 of 2)

FIGURE & INDEX NUMBER	PART NUMBER	DESCRIPTION	QTY PER ASSY	A/C SERIAL NUMBER AFFECTED
6-9 (Sheet 1)	269A4989 269A4507-1	BATTERY AND RELAY INSTS. BATTERY INSTALLATION		1166 - 1789
-1	269A4508	• BATTERY	1	
-2	269A4524	• STUD	2	
	AN960XC10	• WASHER	6	
	MS21043C3	• NUT	6	
-3	269A4507-3	• RETAINER	2	
-4	269A4507-5	• PLASTIC VENT TUBE	1	
-5	269A4927-7	• BRACKET	1	
-6	SAS4401	• BATTERY RELAY (RB 586-905/114111)	2	
	586-905/114111	• BATTERY RELAY (RB 586-15)	2	
	586-15	• BATTERY RELAY.	2	
	NAS1303-2	• BOLT	2	
	AN960KD10L	• WASHER	2	
	AN365-1032	• NUT	2	
-7	IN6055A	• VARISTOR (ALT V47ZA7)	1	
-8	269A4670	• RECEPTACLE (See Figure 6-10)	REF	

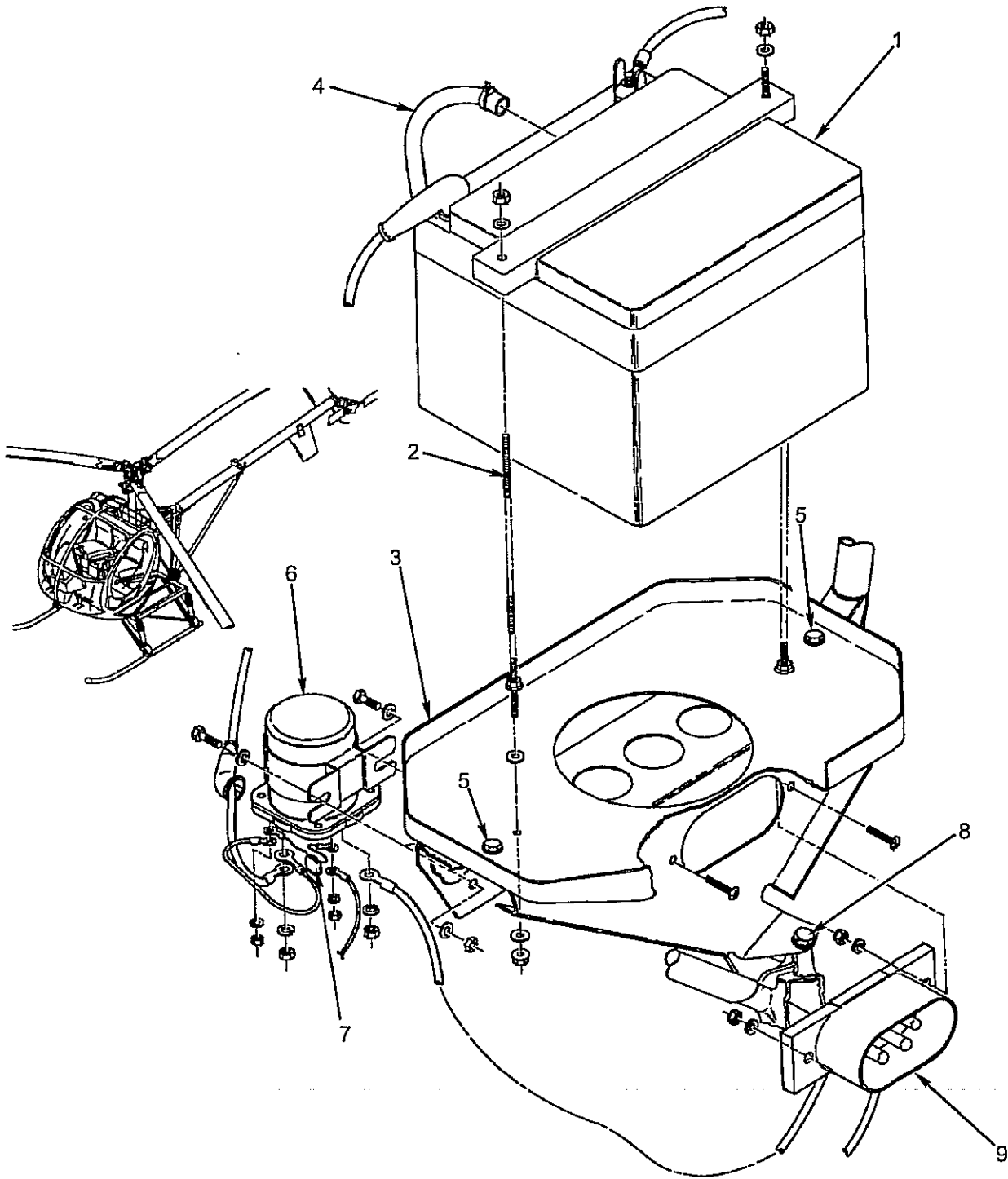


Figure 6-9. Battery and Relay Installations, 24 volt (Sheet 2 of 2)

FIGURE & INDEX NUMBER	PART NUMBER	DESCRIPTION	QTY PER ASSY	A/C SERIAL NUMBER AFFECTED
6-9 (Sheet 2)	269A4989 269A4507-7	BATTERY AND RELAY INSTS. BATTERY INSTALLATION		1790 & Subs.
-1	269A4508	• BATTERY	1	
-2	269A4524	• STUD	2	
	AN960XC10	• WASHER	6	
	MS21043C3	• NUT	6	
-3	269A4093-7	• BRACKET ASSY	1	
-4	269A4507-5	• PLASTIC VENT TUBE	1	
-5	NAS1303-4	• BOLT	2	
	NAS1149D0332K	• WASHER	2	
	NAS1149D0363K	• WASHER	2	
	MS21044N3	• NUT	2	
-6	586-15	• BATTERY RELAY.	2	
	NAS1303-2	• BOLT	2	
	AN960KD10L	• WASHER	2	
	AN365-1032	• NUT	2	
-7	IN6055A	• VARISTOR (ALT V47ZA7)	1	
-8	NAS1304-17	• BOLT	1	
	NAS1149D0463K	• WASHER	4	
	MS21042-4	• NUT	1	
-9	269A4670	• RECEPTACLE (See Figure 6-10)	REF	

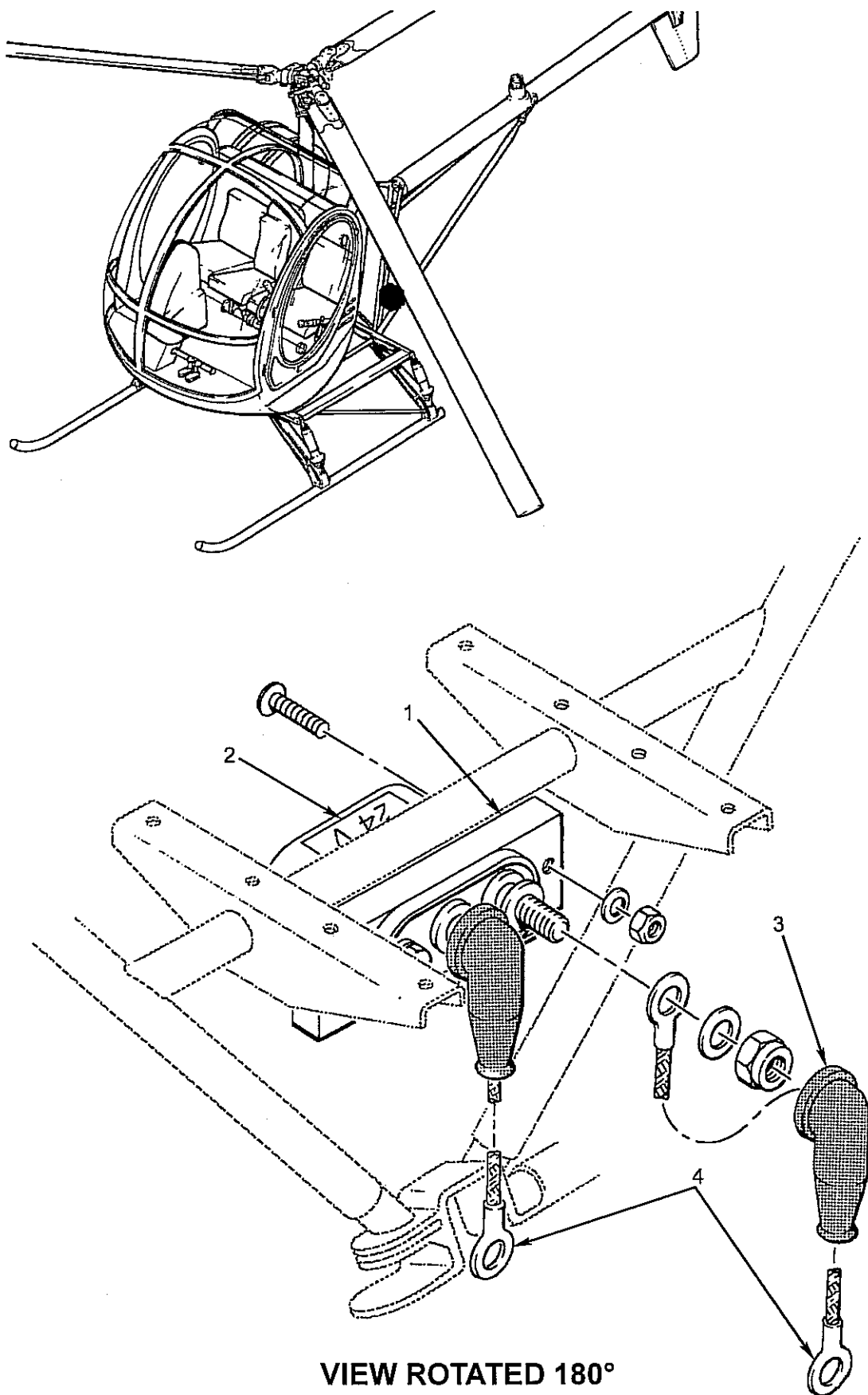


Figure 6-10. 24 Volt External Receptacle Installation

FIGURE & INDEX NUMBER	PART NUMBER	DESCRIPTION	QTY PER ASSY	A/C SERIAL NUMBER AFFECTED
6-10	269A4930	EXTERNAL RECEPTACLE INST.		
-1	269A4670	• RECEPTACLE.	1	
	AN509-10R16	• SCREW	2	
	AN960KD10	• WASHER	2	
	MS20364-1032	• NUT (ALT MS21083N3).	2	
-2	269A4595-3	• PLATE	1	
-3	269A4682-2	• NIPPLE (ALT MS25171-2S)	2	
-4	AN4	• WIRE, MIL-W-5086, TYPE II	2	

This page is intentionally left blank.