

SCHWEIZER MODEL 269C HELICOPTER  
ILLUSTRATED PARTS CATALOG

SECTION 2

FUSELAGE STRUCTURE AND COMPONENTS

This page is intentionally left blank.

## Table of Contents

Figure	Title	Page
2-1.	Fuselage Structure Assembly . . . . .	2-2
2-2.	Fuselage Strut and Frame Installation . . . . .	2-4
2-3.	Fuselage Structure - Forward Components . . . . .	2-10
2-4.	Tailboom Assembly . . . . .	2-14
2-5.	Horizontal Stabilizer Assembly . . . . .	2-16
2-6.	Door Assembly . . . . .	2-18
2-7.	Canopy Assembly. . . . .	2-20
2-8.	Fairing Assembly - Lower Forward (S/N 1166 - 1735) . . . . .	2-22
2-9.	Fairing Assembly (S/N 1736 & Subs.) . . . . .	2-24
2-10.	Seat Structure (Sheet 1 of 4) . . . . .	2-26
2-11.	Landing Gear Assembly . . . . .	2-34
2-12.	Landing Gear Skid and Strut Assembly. . . . .	2-36
2-13.	Damper Assembly . . . . .	2-40

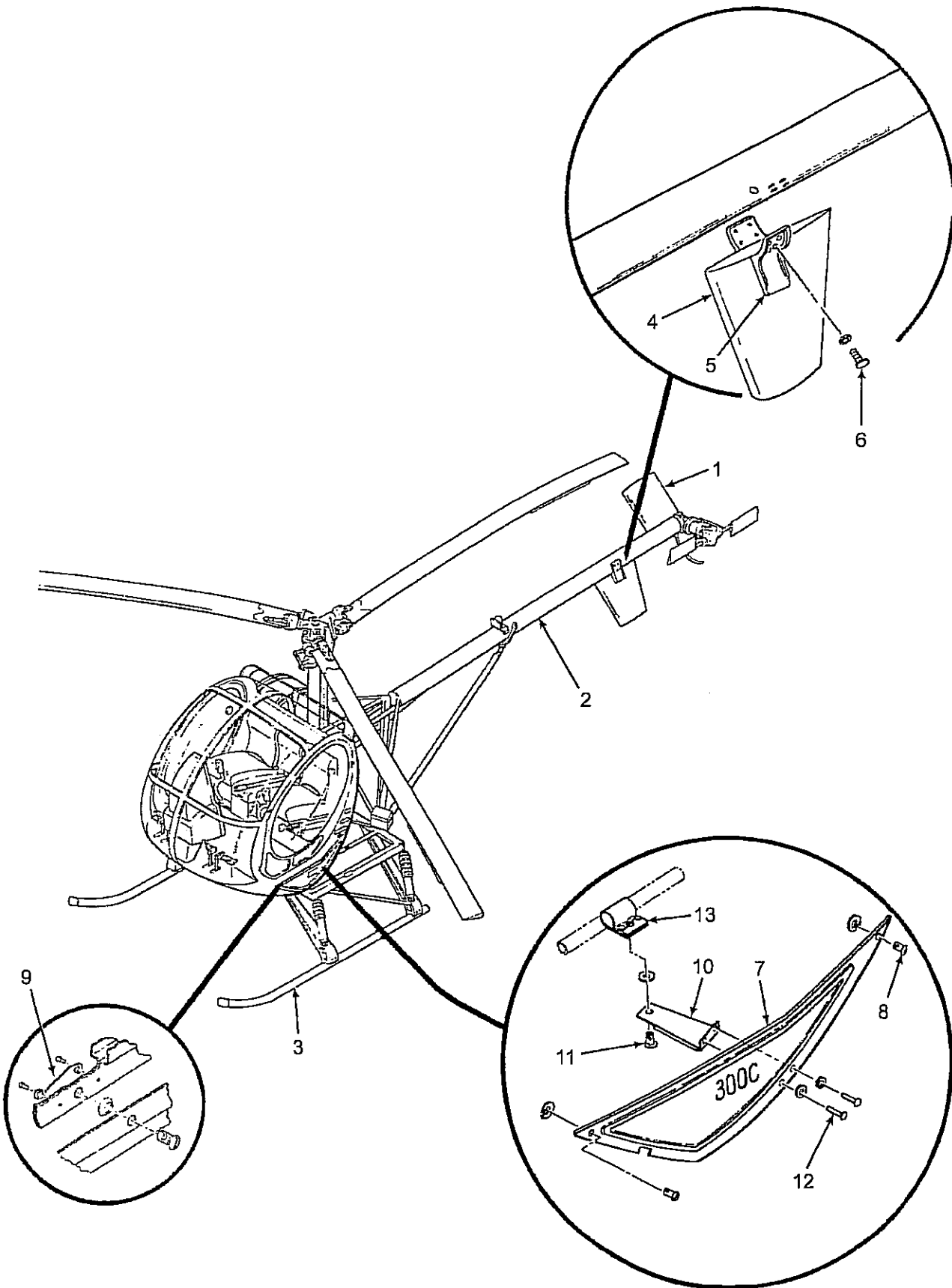


Figure 2-1. Fuselage Structure Assembly

FIGURE & INDEX NUMBER	PART NUMBER	DESCRIPTION	QTY PER ASSY	A/C SERIAL NUMBER AFFECTED
2-1	269A2003	FUSELAGE STRUCTURE ASSEMBLY		
-1	269A2516-21	• STABILIZER ASSY (See Fig. 2-5 for BKDN) . . . . .	REF	
-2	269A2320-17	• BOOM ASSY (See Fig. 2-4 for BKDN) . . . . .	REF	
-3	269A3240-13	• LANDING GEAR ASSY (RP 269A3240-7, see Fig. 2-12 for BKDN) . . . . .	REF	1166 -1759
	269A3240-15	• LANDING GEAR ASSY (RP 269A3240-7, see Fig. 2-12 for BKDN) . . . . .	REF	1759 & Subs.
-4	269A2419-3	• STABILIZER ASSY . . . . .	1	
-5	269A2416-2	•• FITTING ASSY-RIGHT HAND (NP) . . . . .	1	
	269A2416-1	•• FITTING ASSY-LEFT HAND (NP) . . . . .	1	
-6	AN4C6A	• BOLT . . . . .	8	
	AN960KD416	• WASHER . . . . .	8	
-7	269A2303-19L	• FAIRING - LEFT HAND . . . . .	1	1166-1735
	269A2303-20L	• FAIRING - RIGHT HAND . . . . .	1	1166-1735
-8	A3-25	•• STUD (ALT AJ3-25) . . . . .	3	
	GA3-200	•• GROMMET . . . . .	3	
-9	S3-150	•• SPRING . . . . .	2	
	MS20426AD3	••• RIVET . . . . .	4	
-10	269A2303-9	•• BRACKET - LEFT HAND . . . . .	1	
	269A2303-11	•• BRACKET - RIGHT HAND . . . . .	1	
-11	AS-20	••• STUD (ALT A3-25). . . . .	1	
	GA3-200	••• GROMMET . . . . .	1	
-12	MS20470A4	••• RIVET . . . . .	2	
	AN960KD4L	••• WASHER . . . . .	2	
-13	269A2303-23	• CLAMP ASSY . . . . .	1	

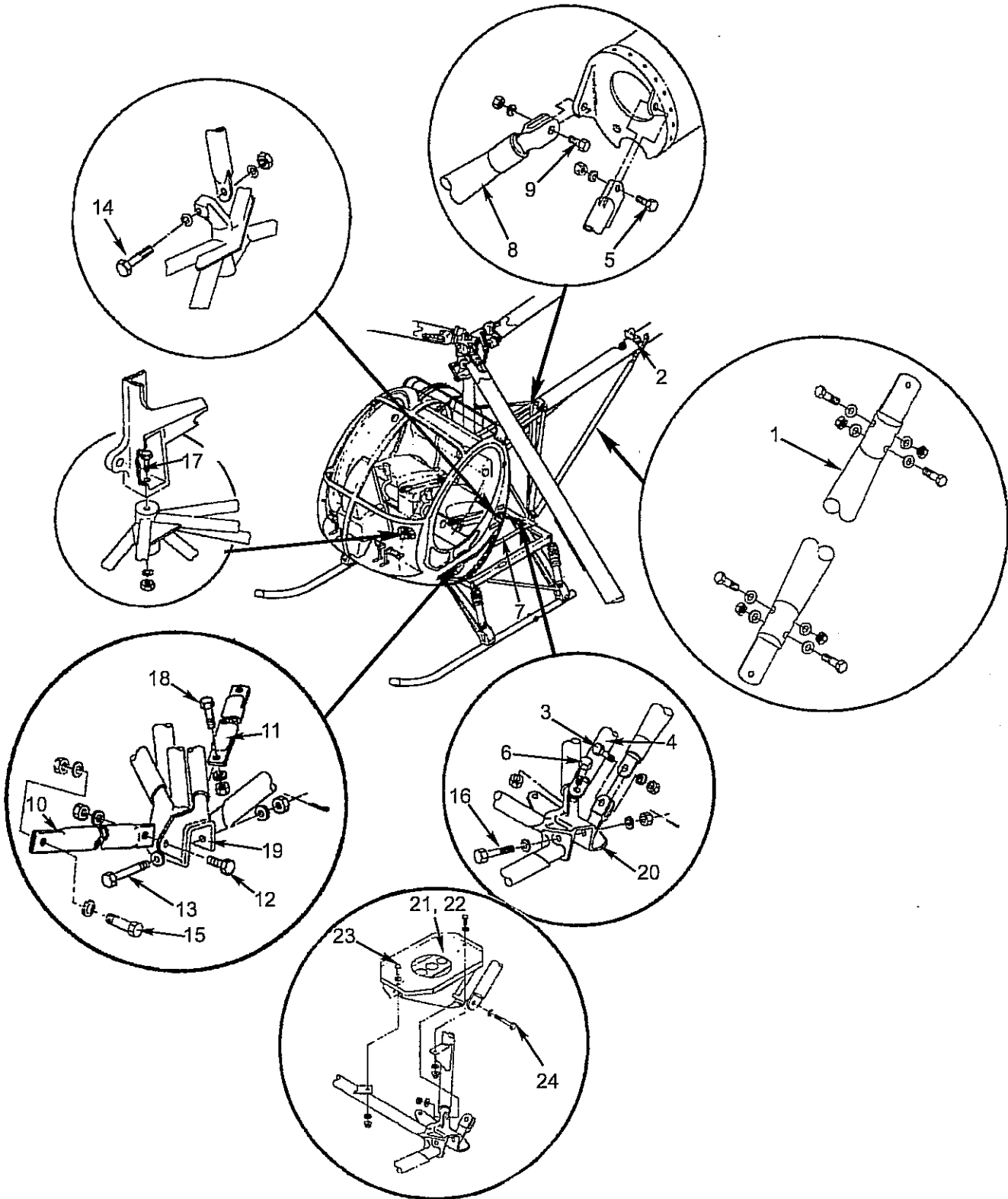


Figure 2-2. Fuselage Strut and Frame Installation

FIGURE & INDEX NUMBER	PART NUMBER	DESCRIPTION	QTY PER ASSY	A/C SERIAL NUMBER AFFECTED
2 -2	269A2003	FUSELAGE STRUT AND FRAME INSTALLATION		
-1	269A2015-11	• STRUT ASSY . . . . .	2	1166-1725 & 1727-1731
	269A2015-21	•• TUBE . . . . .	1	
	269A2017-3	•• FITTING - BOOM END . . . . .	1	
	269A2017-5	•• FITTING - FRAME END . . . . .	1	
	NAS1304-19	•• BOLT (RB NAS1304-20) . . . . .	4	
	AN960KD416	•• WASHER . . . . .	8	
	AN960C416	•• WASHER . . . . .	4	
	MS21042-4	•• NUT. . . . .	4	
	269A2015-15	• STRUT ASSY (Limited To Serial Numbers Shown. RB 269A2015-13)	2	1734, 1742 1747, 1786, 1788
	269A2015-21	•• TUBE . . . . .	1	
	269A2017-5	•• FITTING . . . . .	2	
	NAS1304-19	•• BOLT (RB NAS1304-20) . . . . .	4	
	AN960KD416	•• WASHER . . . . .	8	
	AN960C416	•• WASHER . . . . .	4	
	MS21042-4	•• NUT. . . . .	4	
	269A2015-13	• STRUT ASSY (RB 269A2015-113) . . . . .	2	1732-1845
	269A2015-21	•• TUBE . . . . .	1	
	269A2017-5	•• FITTING - FRAME END . . . . .	1	
	269A2025-1	•• FITTING - BOOM END . . . . .	1	
	NAS1304-20	•• BOLT . . . . .	4	
	AN960KD416	•• WASHER . . . . .	8	
	AN960C416	•• WASHER . . . . .	4	
	MS21042-4	•• NUT. . . . .	4	
	269A2015-113	• STRUT ASSY . . . . .	2	1846 & Subs.
	269A2015-21	•• TUBE . . . . .	1	
	269A2025-1	•• FITTING - BOOM END . . . . .	1	
	269A2026-3	•• FITTING - FRAME END . . . . .	1	
	NAS1304-20	•• BOLT . . . . .	4	
	AN960KD416	•• WASHER . . . . .	8	
	AN960C416	•• WASHER . . . . .	4	
	MS21042-4	•• NUT. . . . .	4	
-2	AN174-3A	• BOLT (ALT NAS1304-15) . . . . .	2	1166-1731
	HS626-4-400	• BUSHING . . . . .	2	1166-1731
	NAS1197-416	• WASHER . . . . .	2	1166-1731
	AN960KD416	• WASHER . . . . .	2	1166-1731
	MS21042-4	• NUT . . . . .	2	1166-1731
	NAS1305-23	• BOLT . . . . .	2	1732 & Subs.
	AN960KD516	• WASHER . . . . .	2	1732 & Subs.
	MS21042-5	• NUT . . . . .	2	1732 & Subs.
-3	NAS1305-7	• BOLT. . . . .	2	1166-1845
	AN960KD516	• WASHER . . . . .	2	1166-1845
	MS21042-5	• NUT . . . . .	2	1166-1845
	ADB221-1	• BOLT ASSY . . . . .	2	1846 & Subs.

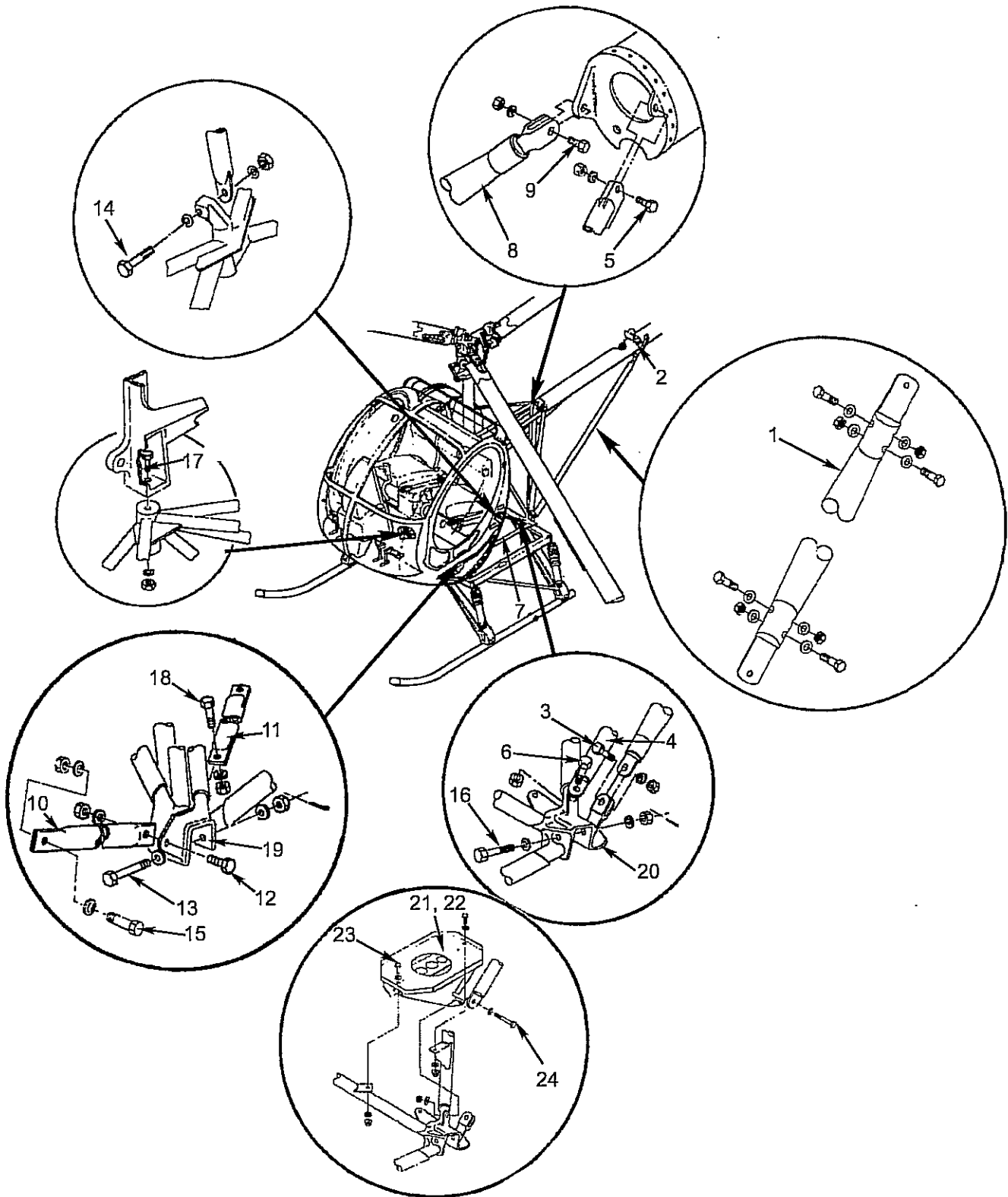


Figure 2-2. Fuselage Strut and Frame Installation



FIGURE & INDEX NUMBER	PART NUMBER	DESCRIPTION	QTY PER ASSY	A/C SERIAL NUMBER AFFECTED
2-2	269A2003	FUSELAGE STRUT AND FRAME INSTALLATION (cont)		
-4	269A2218	• STRUT ASSY . . . . .	1	
-5	NAS464P4A6	• BOLT (ALT NAS1104-6). . . . .	1	
	AN960KD416	• WASHER . . . . .	1	
	MS21042-4	• NUT . . . . .	1	
-6	AN174-12A	• BOLT (ALT NAS1304-13) . . . . .	1	
	MS21042-4	• NUT . . . . .	1	
-7	269A2230-17	• FRAME ASSY . . . . .	1	1166-1789
	269A2230-25	• FRAME ASSY (No Battery Mount) . . . . .	1	1790 & Subs.
-8	269A2172-5	• TUBE ASSY . . . . .	1	
-9	AN176-22A	• BOLT (ALT NAS1306-27) . . . . .	1	
	AN960KD616	• WASHER . . . . .	1	
	MS21042-6	• NUT . . . . .	1	
-10	269A2246-1	• STRUT ASSY LH . . . . .	1	
	269A2246-2	• STRUT ASSY RH. . . . .	1	
-11	269A2244	• STRUT ASSY . . . . .	1	
-12	AN174-6A	• BOLT (ALT NAS 1304-6) . . . . .	2	
	AN960KD416	• WASHER . . . . .	2	
	MS21042-4	• NUT . . . . .	2	
-13	AN174-17	• BOLT (ALT NAS1304-23D). . . . .	2	
	AN960KD416	• WASHER . . . . .	4	
	AN310-4	• NUT (ALT MS17825-4) . . . . .	2	
	MS24665-153	• COTTER PIN . . . . .	2	
-14	NAS1305-20	• BOLT. . . . .	2	
	AN960KD516	• WASHER . . . . .	2	
	AN960KD516L	• WASHER . . . . .	2	
	MS21042-5	• NUT . . . . .	2	
-15	AN520-10R10	• SCREW . . . . .	2	
	MS20365-1032	• NUT . . . . .	2	
	AN960KD10L	• WASHER . . . . .	4	
-16	AN174-17	• BOLT (ALT NAS1304-23D). . . . .	2	
	AN960KD416	• WASHER . . . . .	4	
	AN310-4	• NUT (ALT MS17825-4) . . . . .	2	
	MS24665-153	• COTTER PIN . . . . .	2	
-17	AN174-7A	• BOLT. . . . .	1	
	AN960KD416	• WASHER . . . . .	1	
	MS20365-428	• NUT . . . . .	1	
-18	AN174-5A	• BOLT (ALT NAS1304-3) . . . . .	2	
	AN960KD416	• WASHER . . . . .	2	
	MS21042-4	• NUT . . . . .	2	
-19	269A2232	• CLUSTER FITTING - FWD LH SIDE . . . . .	1	
	269A2233	• CLUSTER FITTING - FWD RH SIDE . . . . .	1	
-20	269A2234-3	• CLUSTER FITTING - AFT LH SIDE (RB 269A2234-5). . . . .	1	1166 -1845
	269A2234-5	• CLUSTER FITTING - AFT LH SIDE . . . . .	1	1846 & Subs.
	269A2235-3	• CLUSTER FITTING - AFT RH SIDE (RB 269A2235-5) . . . . .	1	1166 -1845
	269A2235-5	• CLUSTER FITTING - AFT RH SIDE. . . . .	1	1846 & Subs.

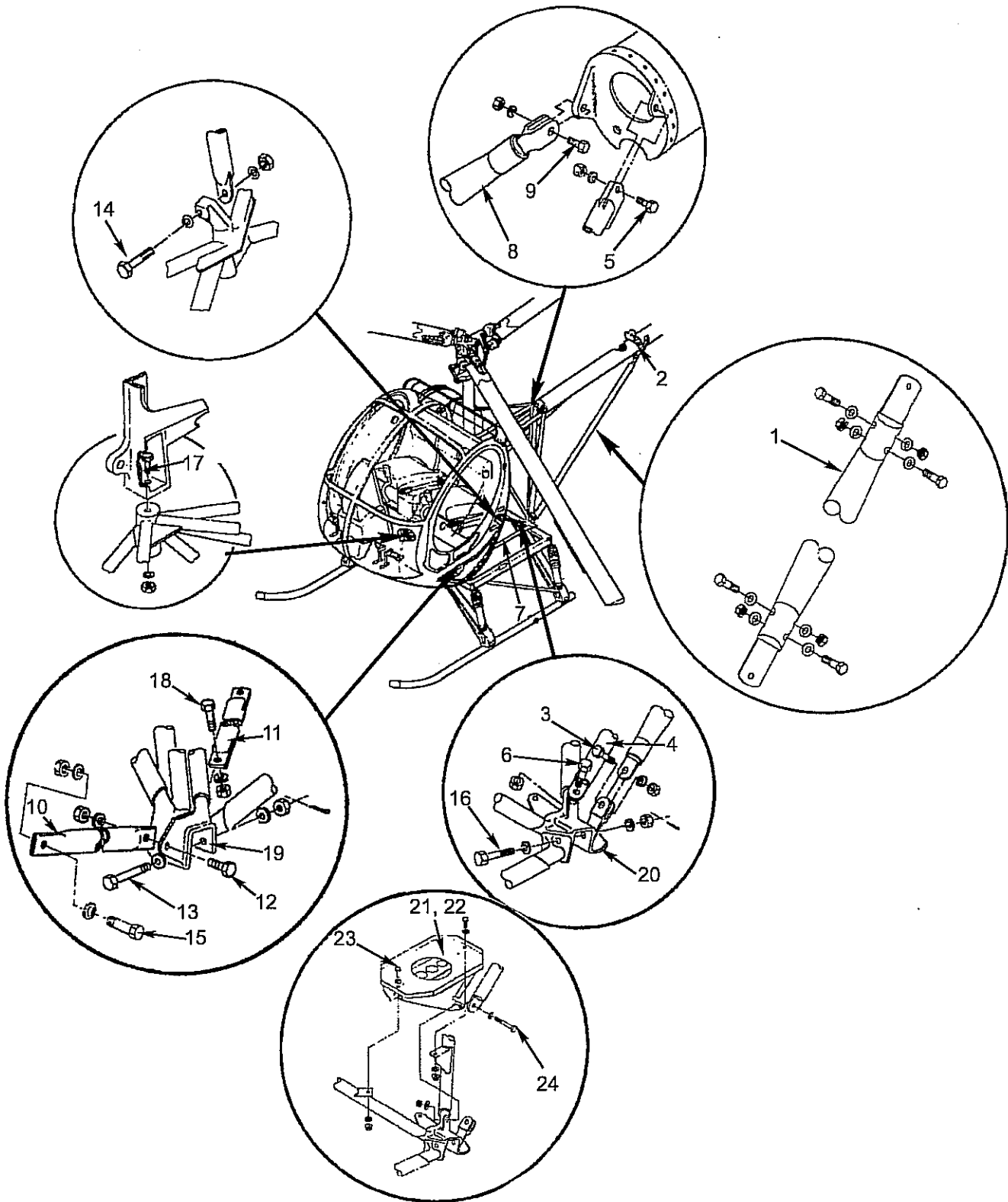


Figure 2-2. Fuselage Strut and Frame Installation

FIGURE & INDEX NUMBER	PART NUMBER	DESCRIPTION	QTY PER ASSY	A/C SERIAL NUMBER AFFECTED
2-2	269A2003	FUSELAGE STRUT AND FRAME INSTALLATION (cont)		
-21	269A4093-7	• BATTERY MOUNT ASSY . . . . .	1	1790-Subs.
-22	269A4093-1	•• BRACKET ASSY . . . . .	1	1790 - Subs.
-23	NAS1303-4	•• BOLT . . . . .	2	1790-Subs.
	NAS1149D0332K	•• WASHER . . . . .	2	1790-Subs.
	NAS1149D0363K	•• WASHER . . . . .	2	1790-Subs.
	MS21044N3	•• NUT . . . . .	2	1790-Subs.
-24	NAS1304-17	•• BOLT . . . . .	1	1790-Subs.
	NAS1149D0463K	•• WASHER . . . . .	3	1790-Subs.
	MS21042-4	•• NUT . . . . .	1	1790-Subs.

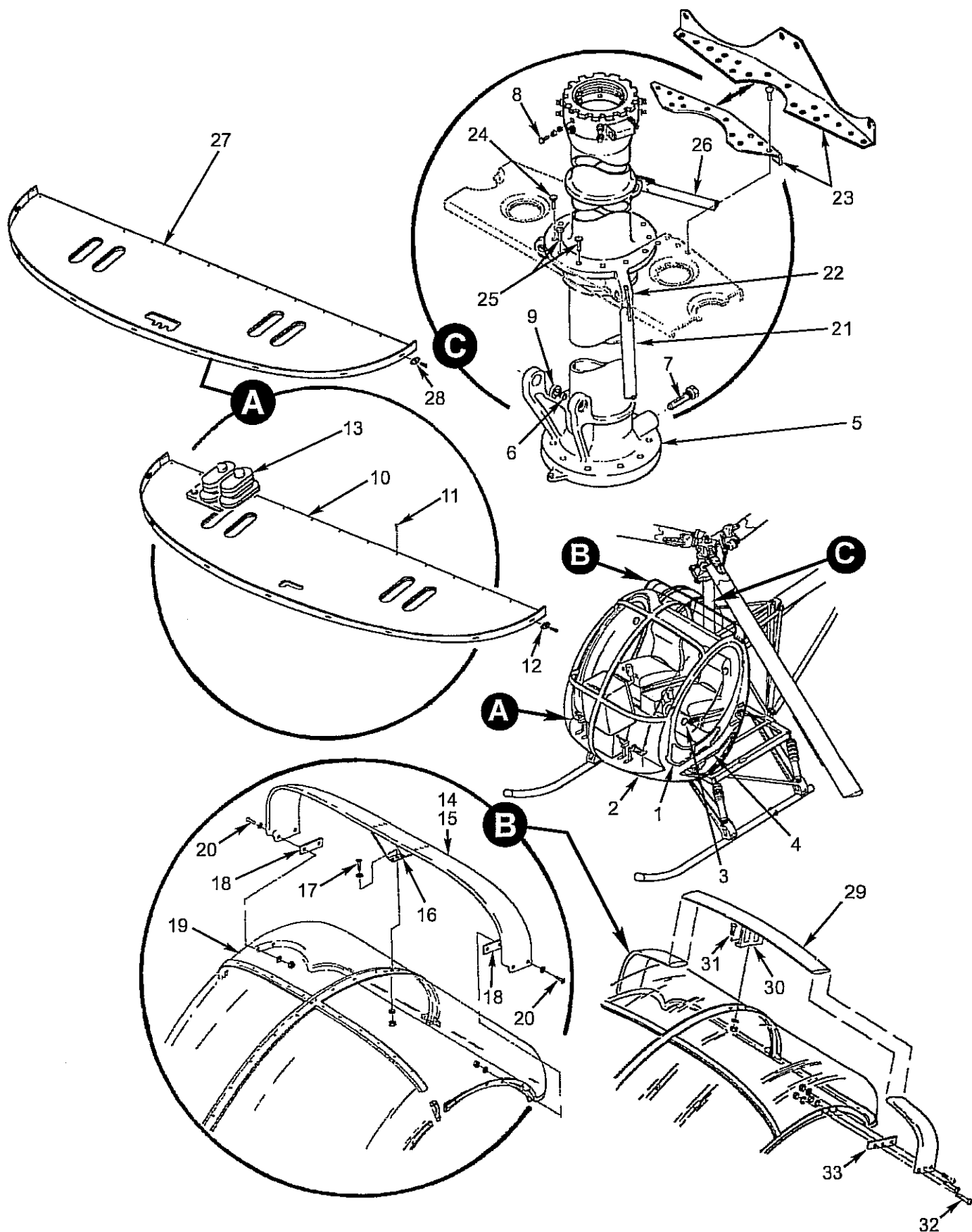


Figure 2-3. Fuselage Structure - Forward Components

FIGURE & INDEX NUMBER	PART NUMBER	DESCRIPTION	QTY PER ASSY	A/C SERIAL NUMBER AFFECTED
2-3	269A2003	FUSELAGE STRUCTURE - FORWARD COMPONENTS		
-1	269A2280-23 269A2280-24	• DOOR ASSY.-LEFT HAND (See Fig. 2-6 for BKDN) . . . • DOOR ASSY.-RIGHT HAND (See Fig. 2-6 for BKDN) . . .	REF REF	
-2	269A2276-21	• FAIRING ASSY (See Fig. 2-9 and 2-10 for BKDN) . . .	REF	
-3	269A9900-3T	• SEAT ASSY-CABIN (See Fig. 2-11 for BKDN) . . .	REF	
-4	269A2259-9	• FRAME-FUSELAGE SIDE . . .	2	
-5	269A2010-5 269A2010-15	• MAST ASSY (RB 269A2010-15) . . . • MAST ASSY . . .	1 1	1166 -1828 1829 & Subs.
-6	269A5050-22	•• BEARING . . .	1	
-7	269A5011 AN6290-3	•• OIL JET . . . •• PACKING . . .	1 1	
-8	HL19PB-6-7 HL63PB-6-7 HL96-6 NAS620-10L	•• PIN . . . •• PIN (OVERSIZE) . . . •• COLLAR . . . •• WASHER . . .	19 AR 19 19	
-9	269A5060	•• BUSHING . . .	2	
-10	269A9926 269A9926-23	• PANEL ASSY - CANOPY LOW.CLOSING . . . • PANEL ASSY - CANOPY LOW.CLOSING . . .	1 1	1166-1169 1170-1731
-11	SSD42SSBS	•• RIVET . . .	14	
-12	NAS1031N3K NAS1032N3K MS20426AD3	•• NUT PLATE (Middle of Panel) . . . •• NUT PLATE (End of Panel) . . . ••• RIVET . . .	8 2 20	
-13	269A4030-3	• BOOT . . .	4	
-14	269A2345-3	• SLAT ASSY . . .	1	1682 & Subs.
-15	269A2345-5	•• SLAT . . .	1	
-16	269A2345-17 MS20470AD5	•• "V" BRACKET . . . •• RIVET (ALT MS20426AD6) . . .	1 6	
-17	NAS602-10P AN960KD8 MS21042-08	• SCREW . . . • WASHER . . . • NUT . . .	3 6 3	
-18	269A2345-9	• FILLER BLOCK . . .	2	
-19	269A2275-3	• CANOPY INST (See Fig. 2-8 for BKDN) . . .	REF	
-20	NAS602-16P AN960KD8 MS21042-8	• SCREW . . . • WASHER . . . • NUT . . .	4 8 4	
-21	269A2170 269A2171	• TUBE ASSY - LEFT HAND . . . • TUBE ASSY - RIGHT HAND . . .	1 1	
-22	NAS1304-17 SHS626-4-500 AN960KD416	• BOLT . . . • BUSHING . . . • WASHER . . .	3 3 6	
-23	MS21042-4 269A2291 269A9884-1 MS20470AD4-10	• NUT . . . • DOUBLER . . . • DOUBLER . . . •• RIVET . . .	3 1 1 14	1166-1808 1809 & Subs.
-24	NAS1738B5	• RIVET . . .	12	
-25	NAS1738B5	• RIVET (ALT CR2249-5-7 or NAS1402-6 Bolts, MS21042-08 Nuts & AN960KD08 (2 ea.) may also be used as alternates)	2	
-26	269A2172-5	• TUBE ASSY . . .	1	
-27	269A9926-27	• PANEL ASSY-CANOPY LOW CLOSING . . .	1	1732 & Subs.

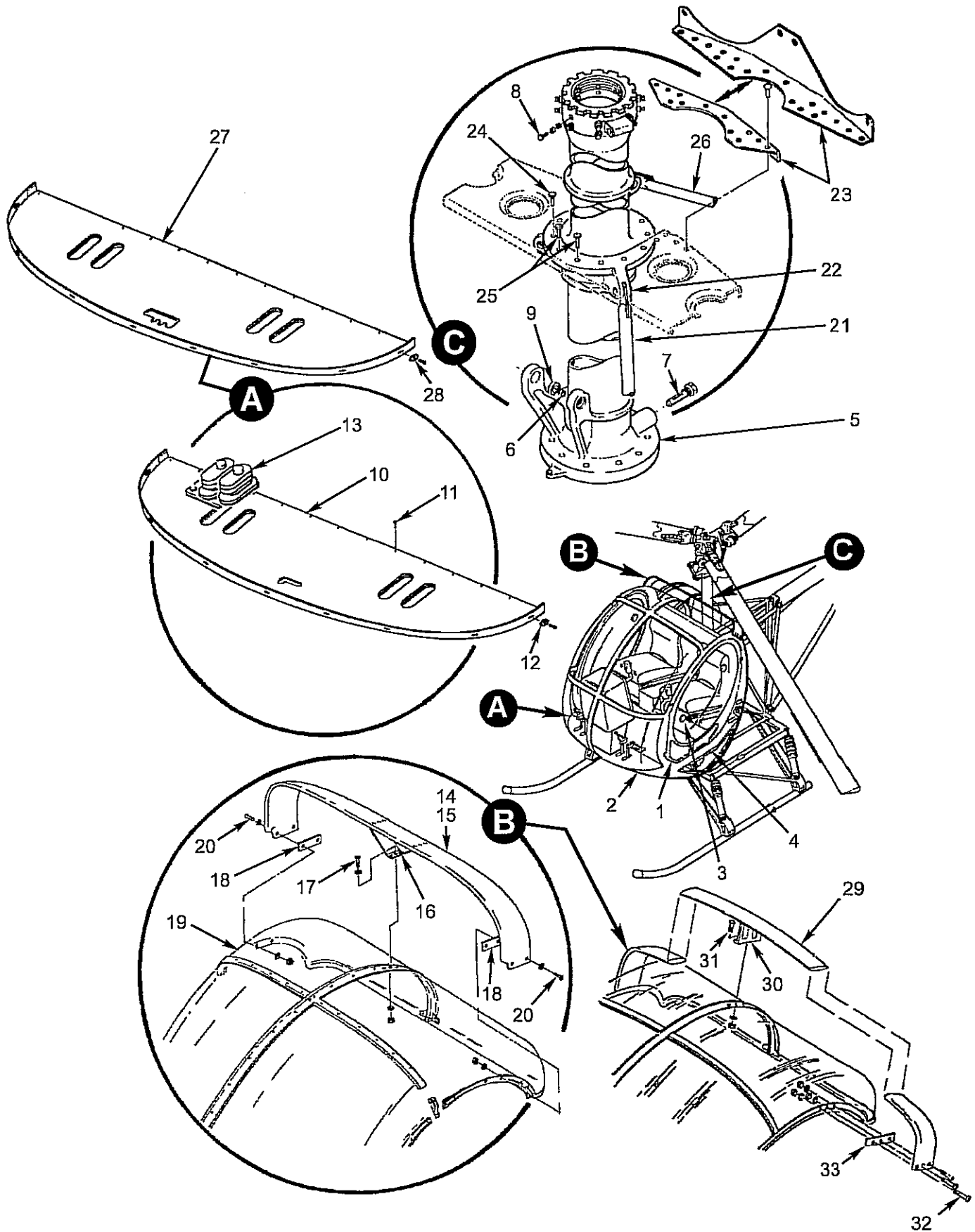


Figure 2-3. Fuselage Structure - Forward Components

FIGURE & INDEX NUMBER	PART NUMBER	DESCRIPTION	QTY PER ASSY	A/C SERIAL NUMBER AFFECTED
2-3	269A2003	FUSELAGE STRUCTURE - FORWARD COMPONENTS		
-28	212-12SD MS20426AD3	•• RECEPTACLE . . . . .	12	1166 -1681
		•• RIVET . . . . .	24	
-29	269A2216-17	• SLAT ASSY (RB SA-269K-065-1 Retrofit Kit). . . . .	1	
-30	269A2296-3	•• SUPPORT . . . . .	1	
-31	MS51957-46	•• SCREW . . . . .	3	
	AN960KD8L	•• WASHER . . . . .	3	
	MS1044N08	•• NUT. . . . .	3	
-32	NAS602-20	•• SCREW . . . . .	6	
	AN960KD8L	•• WASHER . . . . .	6	
	MS21044N08	•• NUT. . . . .	6	
-33	269A2211	•• SPACER . . . . .	2	

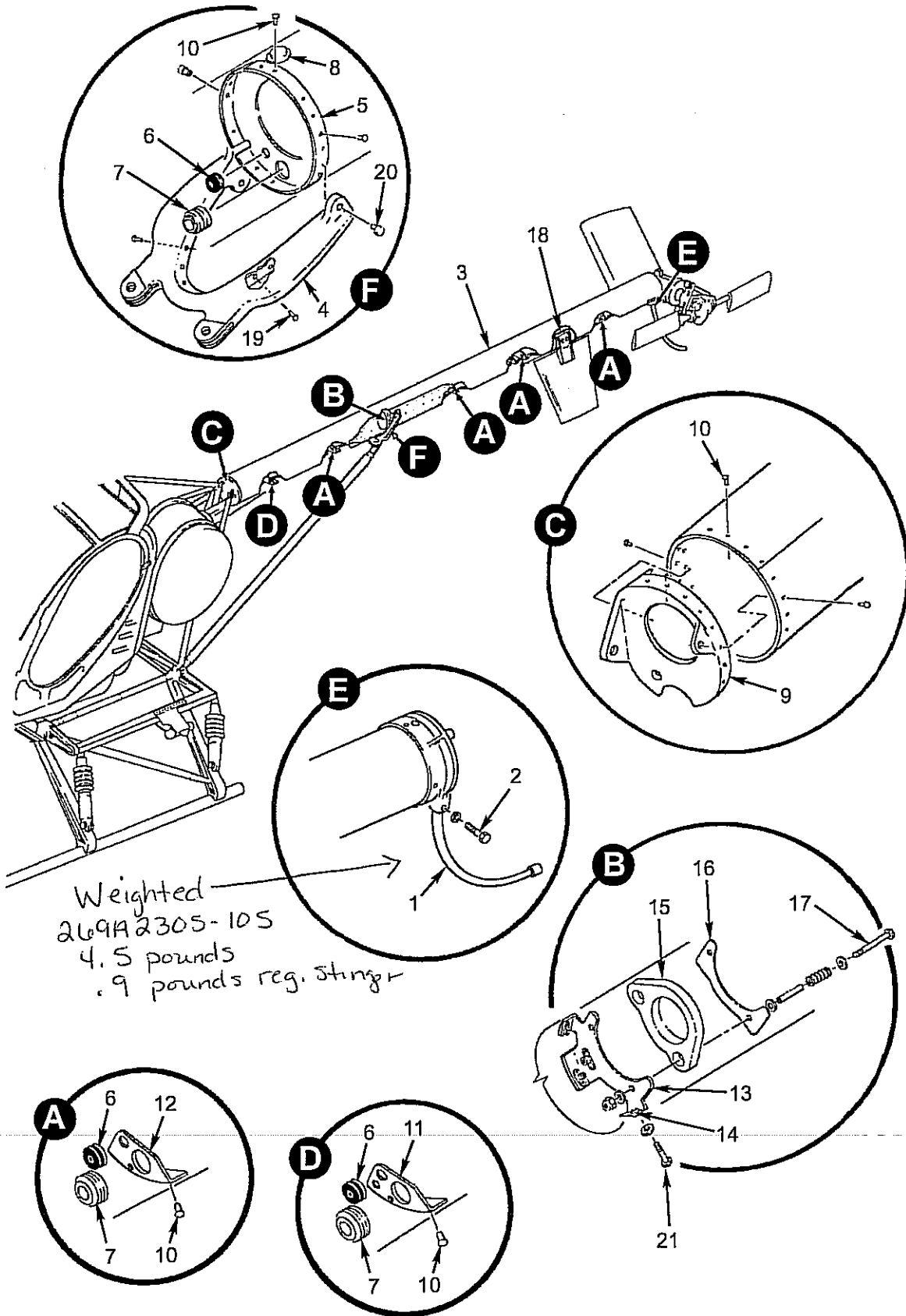


Figure 2-4. Tailboom Assembly



FIGURE & INDEX NUMBER	PART NUMBER	DESCRIPTION	QTY PER ASSY	A/C SERIAL NUMBER AFFECTED
2-4	269A2320	TAIL BOOM ASSEMBLY		
	<i>269A2305-105</i>	<i>Tail Skid weighted 4.5 pounds</i>		
-1	269A2305-9	• TAIL SKID ASSY (SEE NOTE)	1	
	MS20605M3W3	•• RIVET	8	
	NAS1029A4	•• NUTPLATE	4	
-2	NAS1304-7	• BOLT	4	
	NAS1197-416	• WASHER	4	
-3	269A2320-11	• BOOM ASSY (RB SA-269K-079-801 Retrofit Kit)	1	1166 - 1731
	269A2320-17	• BOOM ASSY (Specify if part must be painted)	1	1732 & Subs.
-4	269A2324-11	•• FITTING (Part of 269A2320-11 assy)	1	1166 - 1731
	269A2422-1	•• FITTING (NP Part of 269A2320-17 assy)	1	1732 & Subs.
-5	269A2321-7	•• BULKHEAD ASSY	1	
-6	AN931-4-7	••• GROMMET	1	
-7	269A2309	••• GROMMET	1	
-8	KM713-16-080	••• ACCESS DOOR	1	
-9	269A2323-7	•• FITTING	1	
-10	NAS1919B05-04	•• RIVET-BLIND (ALT CR2249PR5)	31	
-11	269A2308-11L	•• GUIDE ASSY	1	
	AN931-4-7	••• GROMMET	1	
	269A2309	••• GROMMET	1	
-12	269A2308-13L	•• GUIDE ASSY	4	
	AN931-4-7	••• GROMMET	4	
	269A2309	••• GROMMET	4	
-13	269A2330-3	•• DAMPER ASSY (Use with 269A2320-11 boom assy)	1	1166 -1731
	269A2330-5	•• DAMPER ASSY (Use with 269A2320-17 boom assy)	1	1732 & Subs.
-14	269A2332	••• DAMPER SUPPORT ASSY (Part of 269A2330-3 assy)	1	1166 - 1731
	269A2332-5	••• DAMPER SUPPORT ASSY (RB 269A2332-9)	1	1732 & Subs.
	269A2332-9	••• DAMPER SUPPORT ASSY (Part of 269A2330-5 assy)	1	
	NAS680A3	•••• ANCHOR NUT	4	
	MS20426AD3	•••• RIVET	8	
-15	269A2331	••• DAMPER BLOCK	1	
-16	269A2335	••• PLATE	1	
-17	NAS221-35	••• SCREW (ALT NAS1403-28)	2	
	AN960KD10L	••• WASHER	4	
	269A5719	••• SPRING	2	
	269A2404-1	••• BUSHING (ALT SHS13C248-197-1748)	2	
	NAS679A3	••• NUT (ALT MS21042-3)	2	
	AN960KD416L	••• WASHER	AR	
-18	269A2334-11	•• PLATE	1	
-19	NAS191B06	•• RIVET (ALT CR2249-6-)	16	1166 - 1731
-20	BP-T10-5	•• HUCK RIVET (ALT NAS1669-5L5)	4	1166 - 1731
-21	NAS221-9	•• SCREW	3	
	AN960KD10L	•• WASHER	3	
		NOTE: For C.G. Correction: 269A2305-13; 3.5 lbs. ballast, all up weight 4.4 lbs. 269A2305-101; 4.2 lbs. ballast, all up weight 5.1 lbs. 269A2305-105; 4.5 lbs. ballast, all up weight 5.4 lbs.		
	<i>269A4688</i>	<i>Tail skid cap</i>		

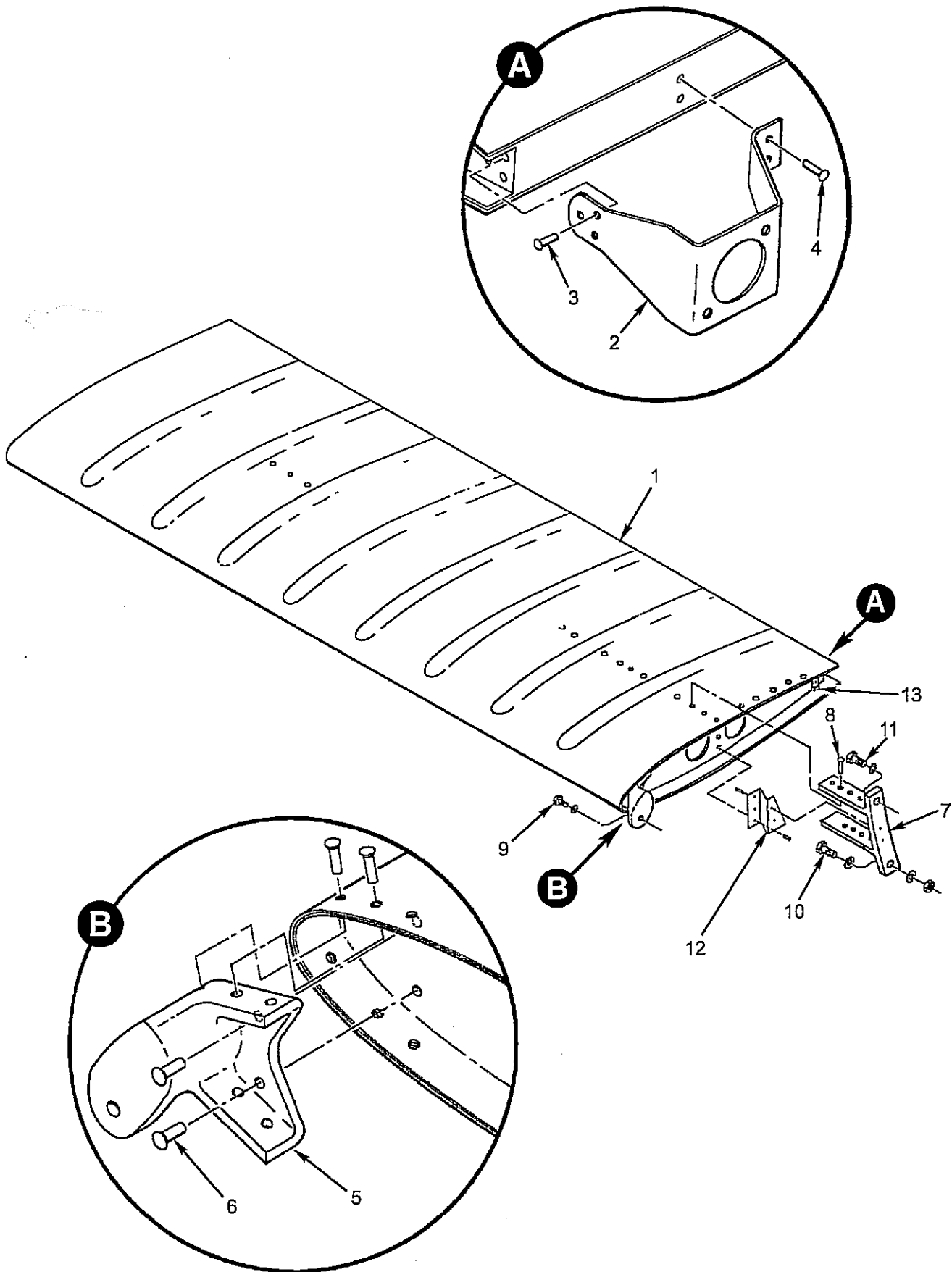


Figure 2-5. Horizontal Stabilizer Assembly

FIGURE & INDEX NUMBER	PART NUMBER	DESCRIPTION	QTY PER ASSY	A/C SERIAL NUMBER AFFECTED
2-5	269A2516	HORIZONTAL STABILIZER ASSEMBLY		
-1	269A2516-9	• STABILIZER ASSY . . . . .	1	1166 -1731
	269A2516-21	• STABILIZER ASSY (without taillight bracket). . . . .	1	1732 & Subs.
-2	269A2523-5	•• BRACKET (Part of 269A2516-9 assy) . . . . .	1	1166 -1731
-3	MLSP-M-4-2	•• RIVETS . . . . .	3	
-4	MLSP-M-4-1	•• RIVETS . . . . .	2	
-5	269A2518	•• FITTING . . . . .	1	1166-1793
	269A2518-5	•• FITTING . . . . .	1	1794 & Subs.
-6	MS20470B4	•• RIVETS . . . . .	6	
-7	269A2515	•• FITTING . . . . .	1	
-8	NAS1398MW5-5	•• RIVET . . . . .	8	
-9	AN173-7A	••• BOLT . . . . .	1	
	AN960KD10	••• WASHER . . . . .	1	
-10	AN174-11A	••• BOLT (ALT NAS1304-11). . . . .	1	
	AN960-416	••• WASHER . . . . .	2	
	MS20365-428	••• NUT . . . . .	1	
-11	NK174-6A	••• BOLT . . . . .	1	
	AN960-416	••• WASHER . . . . .	1	
-12	269A2516-23	•• BRACKET (Part of 269A2516-21) . . . . .	1	
	MS20470AD4	•• RIVET . . . . .	2	
-13	TM2S6-C	•• TIE MOUNT . . . . .	1	
	CR2249-4-2	•• RIVET . . . . .	1	

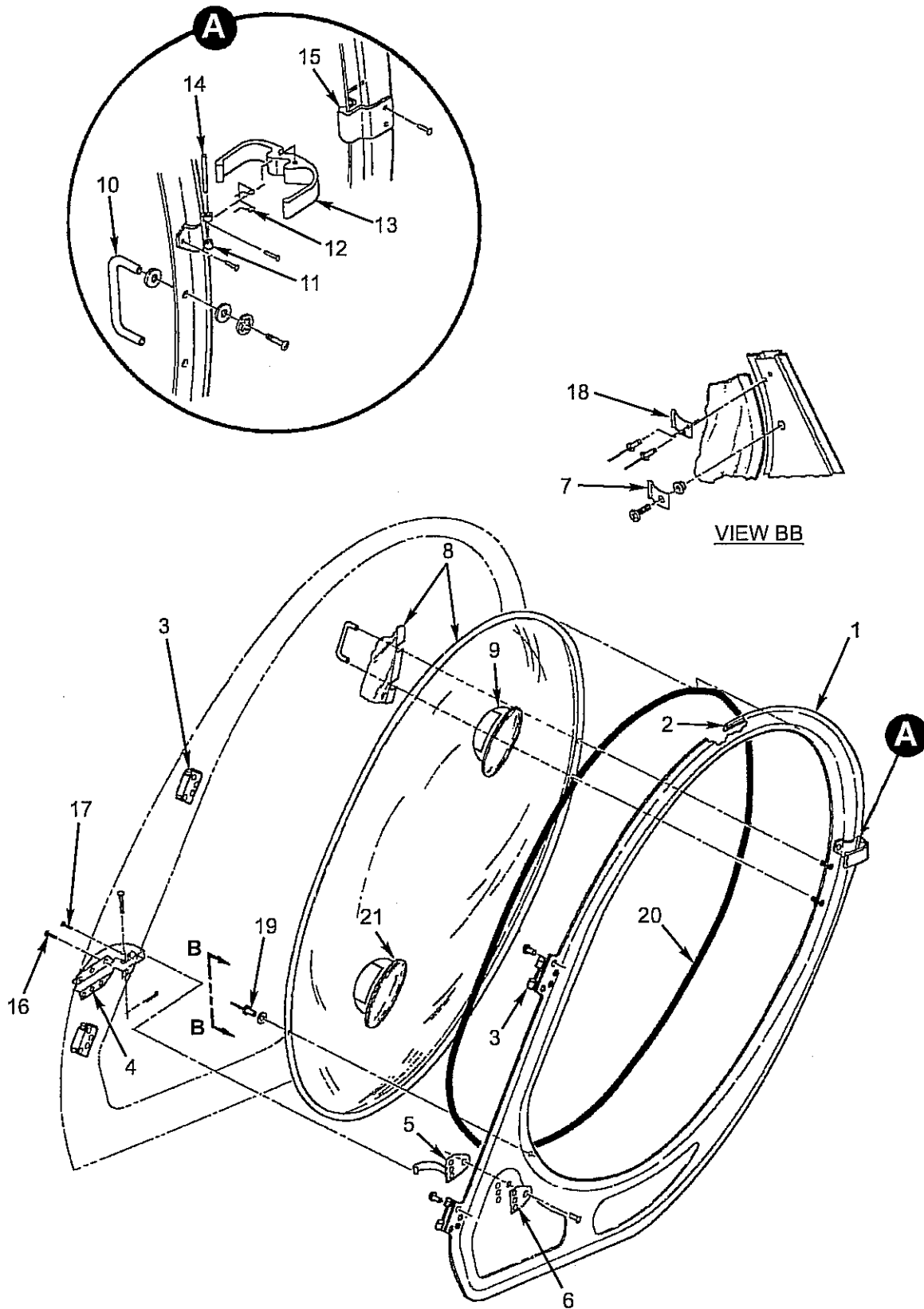


Figure 2-6. Door Assembly

FIGURE & INDEX NUMBER	PART NUMBER	DESCRIPTION	QTY PER ASSY	A/C SERIAL NUMBER AFFECTED
2-6	269A2280 269A2346	DOOR ASSY AND INSTALLATION DOOR ASSY AND INSTALLATION		1166 -1701 1702 & Subs.
-1	269A2280-25 269A2346-801 269A2280-26 269A2346-810	• DOOR ASSY-LEFT HAND (RB 269A2346-801) . . . . . • DOOR ASSY- LEFT HAND. . . . . • DOOR ASSY-RIGHT HAND (RB 269A2346-810) . . . . . • DOOR ASSY-RIGHT HAND . . . . .	1 1 1 1	1166 -1701 1702 & Subs. 1166 -1701 1702 & Subs.
-2	269A2090-903	•• DOOR SEAL . . . . .	1	
-3	269A4755-11 MS20426AD4 269A4755-13 MS20470AD4	•• HINGE-CABIN . . . . . ••• RIVET . . . . . •• HINGE-DOOR . . . . . ••• RIVET . . . . .	2 8 2 4	
-4	269A2277-3 269A2277-4 MS20392-1C31 AN381-2-5	•• HOUSING-LEFT HAND . . . . . •• HOUSING-RIGHT HAND . . . . . ••• PIN . . . . . ••• COTTER PIN (ALT MS24665-1010) . . . . .	1 1 1 1	
-5	269A2311-3	•• STOP . . . . .	1	
-6	269A2312 MS20470AD4	•• PLATE . . . . . ••• RIVET . . . . .	1 4	
-7	269A2337-133 AKS7-832-80L NAS602-8P	•• CLIP . . . . . •• INSERT . . . . . •• SCREW . . . . .	5 5 5	1776-1779 1776-1779 1776-1779
-8	269A2804-25 269A2804-41 269A2804-26 269A2804-42	•• DOOR GLASS-CLEAR LH (RB SA-269K-068-101Kit) . . . . . •• DOOR GLASS-CLEAR LH . . . . . •• DOOR GLASS-CLEAR RH (RB SA-269K-068-02 Kit) . . . . . •• DOOR GLASS-CLEAR RH . . . . .	1 1 1 1	1166-1701 1702 & Subs. 1166-1701 1702 & Subs.
-9	269A4681 CC3251	••• AIR VENT (Use with 269A2804-25, 26, 43 & 44) . . . . . ••• AIR VENT (Use with 269A2804-41 & 42). . . . .	2 2	1166-1701 1702 & Subs.
-10	269A2294 AN960-8L PK8-32 AN936A8	•• HANDLE . . . . . •• WASHER . . . . . •• SCREW . . . . . •• WASHER . . . . .	1 4 2 2	
-11	269A2293 MS20470AD3	•• HINGE . . . . . ••• RIVET . . . . .	1 3	
-12	269A2289	•• SPRING . . . . .	1	
-13	269A2319	•• HANDLE . . . . .	1	
-14	HS12-2-020-240	•• SPACER-PIN. . . . .	1	
-15	269A2288-3 NAS1738B4-1	•• STRIKER . . . . . ••• RIVET (ALT MS20600AD4-2) . . . . .	1 4	
-16	MS20600AD4-2	•• RIVET (AD42H) . . . . .	12	
-17	MS20470AD4	•• RIVET . . . . .	4	
-18	269A2337-129 NAS1738B4-1	•• CLIP . . . . . •• RIVET (Use with 269A2337-129) . . . . .	6 12	1703-1775 1703-1775
-19	CKLP4-H AN960PD4	•• RIVET (ALT CR2249-4-3) . . . . . •• WASHER . . . . .	25 50	1166-1702 1166-1702
-20	VHB 4941	•• ACRYLIC ADHESIVE TAPE . . . . .	AR	1780 & Subs.
-21	269A2805-1	•• REINFORCEMENT RING . . . . .	2	

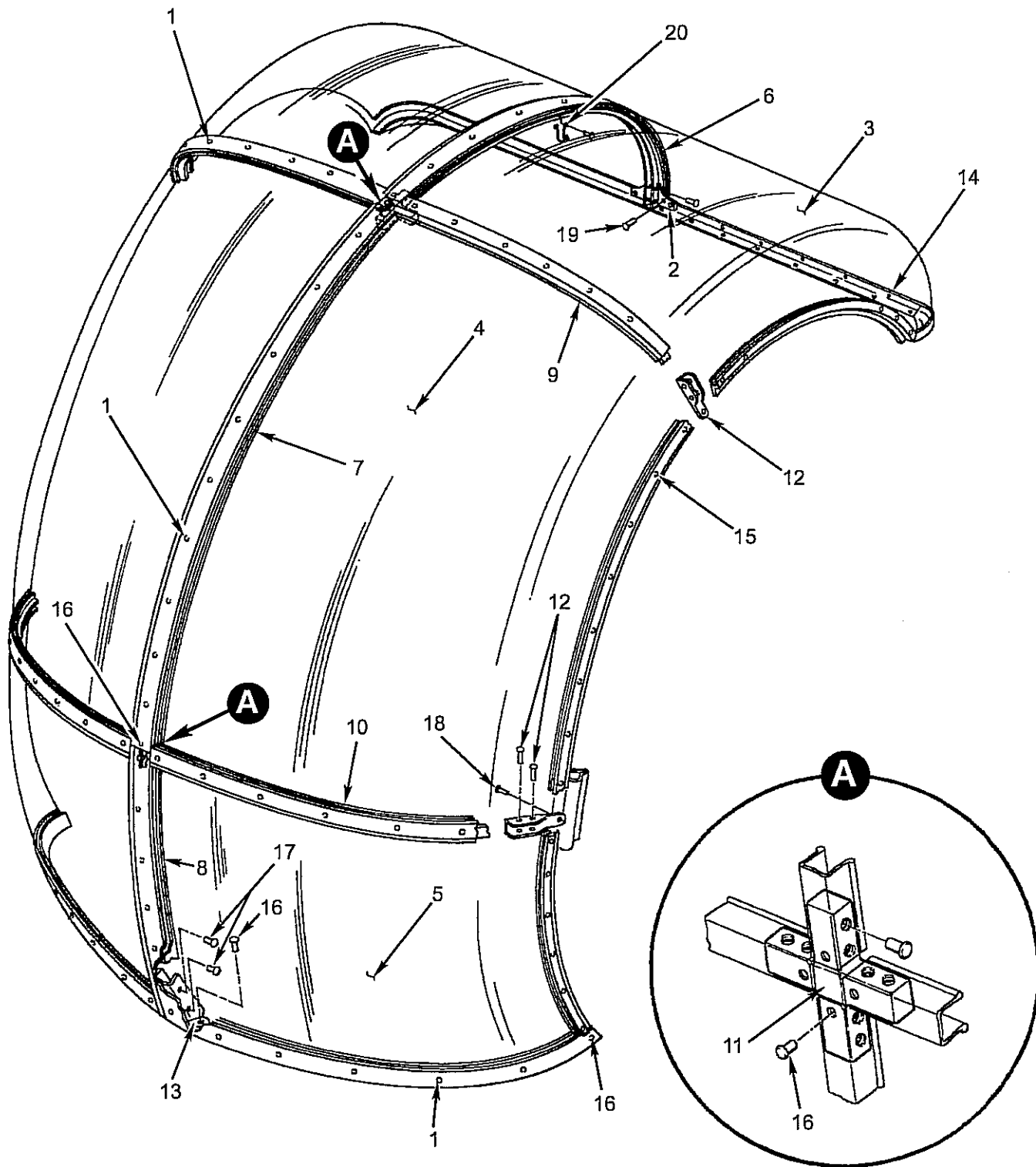


Figure 2-7. Canopy Assembly

FIGURE & INDEX NUMBER	PART NUMBER	DESCRIPTION	QTY PER ASSY	A/C SERIAL NUMBER AFFECTED
2-7	269A2275 269A2270	CANOPY ASSY		
-1	AD55	• RIVET-POP-BLACK ANODIZED (ALT M28203810).	82	
-2	269A2271-3	• CLIP-LEFT HAND	1	
	269A2271-4	• CLIP-RIGHT HAND	1	
	CR3243-4-2	• RIVET	4	
-3	269A2275-13	• CANOPY ASSY-TINTED-LH	1	
	269A2275-14	• CANOPY ASSY-TINTED-RH	1	
-4	269A2275-25	• WINDSHIELD ASSY-TINTED-LH	1	
	269A2275-26	• WINDSHIELD ASSY-TINTED-RH	1	
-5	269A2275-37	• LO WINDSH.-TINTED-LH	1	
	269A2275-38	• LO WINDSH.-TINTED-RH	1	
-6	269A2265-11	• FRAME-CANOPY	1	
-7	269A2265-9	• FRAME-WINDSHIELD	1	
-8	269A2265-7	• FRAME-LOWER WINDSHIELD	1	
-9	269A2265-5	• FRAME-WINDSHIELD LH	1	
	269A2265-6	• FRAME-WINDSHIELD RH	1	
-10	269A2265-3	• FRAME-WINDSHIELD LH	1	
	269A2265-4	• FRAME-WINDSHIELD RH	1	
-11	269A2264	• FITTING (RB 269A2264-13)	2	
	269A2264-13	• FITTING	2	
-12	269A2267L	• CLIP	4	
	CR3243-4-2	• RIVET	16	
-13	269A2268L	• CLIP	1	
-14	269A2269-3L	• ANGLE-LH	1	
	269A2269-4L	• ANGLE-RH	1	
-15	AD55H	• RIVET-POP-BLACK ANODIZED (ALT M28202960).	56	
-16	AD53H	• RIVET-POP-BLACK ANODIZED (ALT M28202958).	10	
-17	CR3243-4-2	• RIVET	4	
-18	MS20600AD4-1	• RIVET	4	
-19	MS20470A4	• RIVET (ALT MS20470A5-4 or M28042302)	4	
-20	269A4922-3	• CLIP-LH	1	
	269A4922-4	• CLIP-RH	1	
	SSD42SSBS	• RIVET	4	

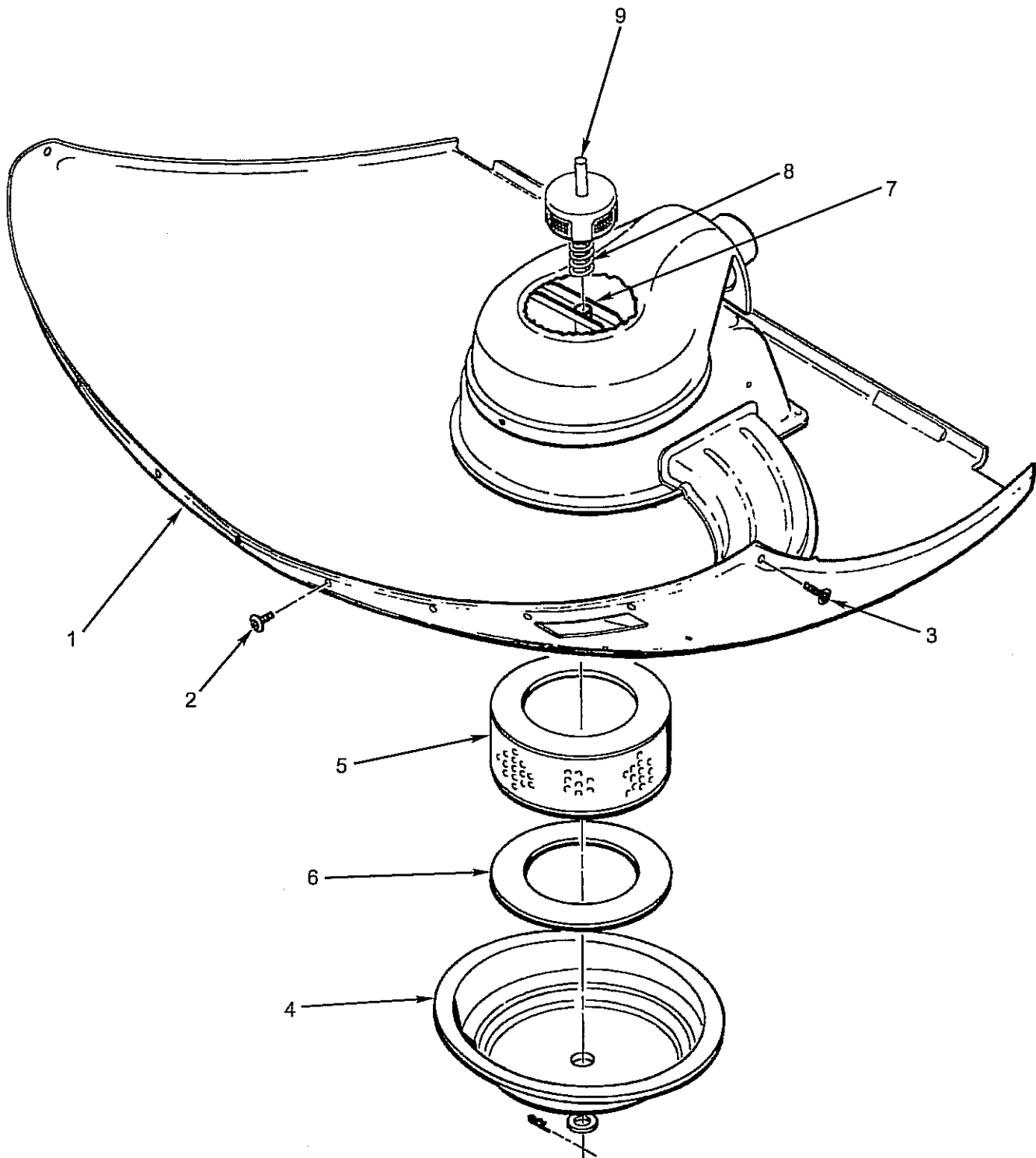


Figure 2-8. Fairing Assembly - Lower Forward (S/N 1166 - 1735)



FIGURE & INDEX NUMBER	PART NUMBER	DESCRIPTION	QTY PER ASSY	A/C SERIAL NUMBER AFFECTED
2-8	269A2276	FAIRING ASSEMBLY - LOWER FORWARD		1166 -1735
-1	269A2276-21	• FAIRING ASSY . . . . .	1	
-2	SFSW10F12D-GO1WH	•• SCREW (With Washer) . . . . .	8	
-3	SFSW10F14D-GO1WH	•• SCREW (With Washer) . . . . .	2	
-4	269A8157	•• COVER ASSY . . . . .	1	
	AN960KD616	•• WASHER . . . . .	AR	
	269A4566	•• SAFETY PIN . . . . .	1	
-5	BA-102	•• FILTER ASSY (ALT 55854, (Paper), Engine Air Intake) . . . . .	1	
	BA-2	••• FILTER ELEMENT (Foam) . . . . .	1	
-6	269A8150-5	•• SEAL-TOP . . . . .	1	
	269A8150-7	•• SEAL-BOTTOM . . . . .	1	
-7	269A8151	•• SUPPORT . . . . .	1	
-8	269A8154	•• SPRING . . . . .	1	
-9	269A8152-3	•• VALVE ASSY. . . . .	1	
	269A8150-3	••• SEAL . . . . .	1	

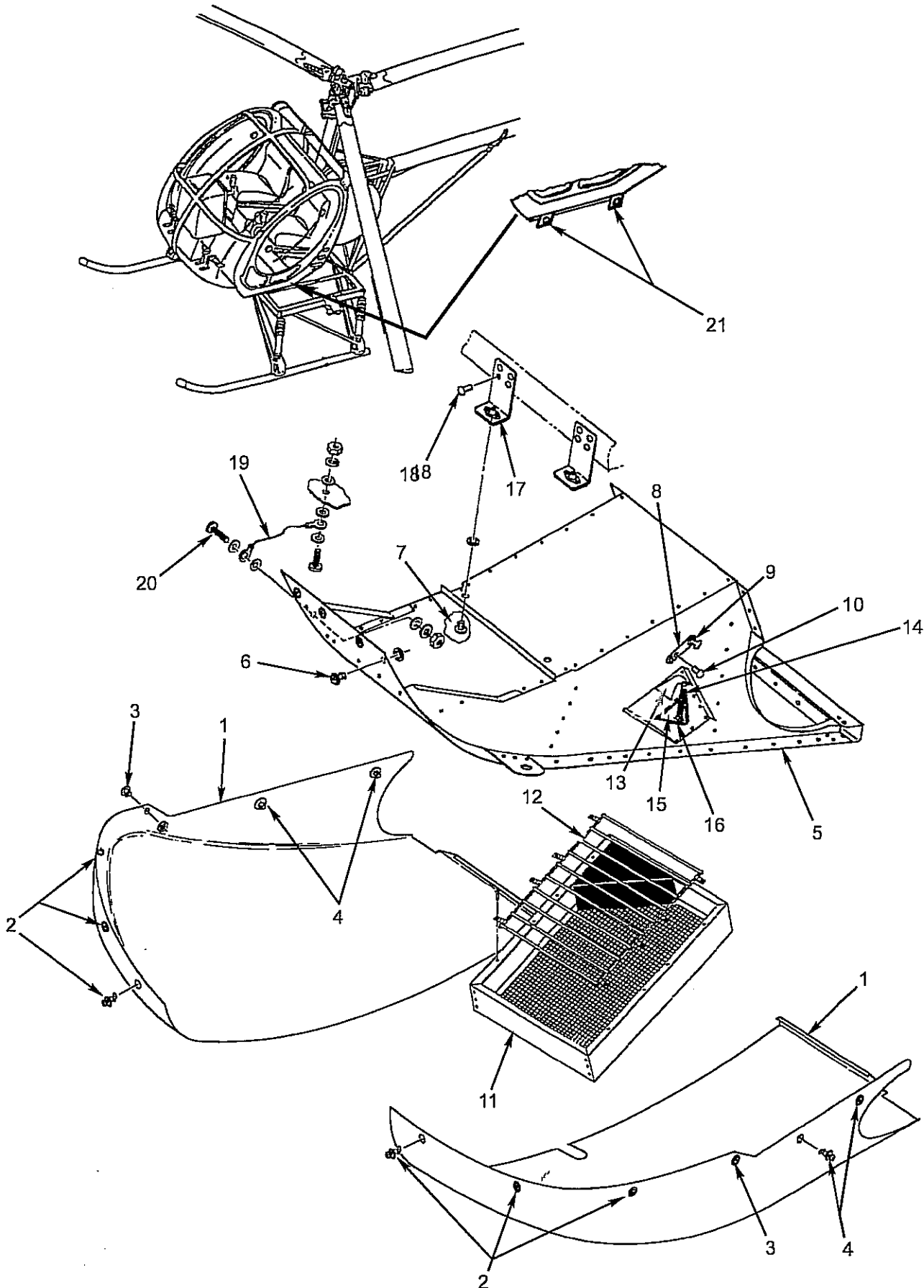


Figure 2-9. Fairing Assembly (S/N 1736 & Subs.)

FIGURE & INDEX NUMBER	PART NUMBER	DESCRIPTION	QTY PER ASSY	A/C SERIAL NUMBER AFFECTED
2-9	269A2329	FAIRING ASSEMBLY		1736 & Subs.
-1	269A2290-43	• SIDE FAIRING - LH . . . . .	1	
	269A2290-42	• SIDE FAIRING - RH . . . . .	1	
-2	26S51-9	•• STUD (ALT 26S51-10 thru -12) . . . . .	3	
	2600-LW	••• LOCK RING. . . . .	3	
-3	26S51-10	•• STUD (ALT 26S51-11 thru -16) . . . . .	1	
	2600-LW	••• LOCK RING. . . . .	1	
-4	26S51-6	•• STUD (ALT 26S51-7 thru -8) . . . . .	2	
	2600-LW	••• LOCK RING. . . . .	2	
-5	269A2329-7	• CHIN ASSY . . . . .	1	
-6	26S51-9	•• STUD . . . . .	4	
	2600-LW	••• LOCK RING. . . . .	4	
-7	26S51-3	•• STUD . . . . .	2	
	2600-LW	••• LOCK RING. . . . .	2	
-8	2600-ES	•• SPRING . . . . .	2	
-9	2600-2SW	•• WING STUD . . . . .	2	
	2600-LW	••• LOCK RING. . . . .	2	
-10	MS20426AD4	•• RIVETS . . . . .	4	
-11	BA5410	•• FILTER ASSY . . . . .	1	
-12	BA5405	••• FILTER ELEMENT. . . . .	1	
-13	37A1717-25	•• HORN . . . . .	1	
-14	19A-137-3	•• SPRING . . . . .	1	
-15	37A1717-17	•• DOOR . . . . .	1	
-16	37A1717-27	•• CLIP . . . . .	1	
-17	269A2329-155	• BRACKET . . . . .	2	
	212-12S	•• RECEPTACLE . . . . .	2	
-18	MS20470AD4	• RIVET . . . . .	8	
-19	MS25083-2BB6	• GROUND STRAP . . . . .	1	
-20	NAS1303-7	• SCREW . . . . .	2	
	MS35338-43	• LOCKWASHER . . . . .	2	
	AN960JD10L	• WASHER . . . . .	6	
	MS21044N3	• NUT . . . . .	2	
-21	269A2350-1	• CLIP ASSY . . . . .	4	
	212-12SD	•• RECEPTACLE . . . . .	4	

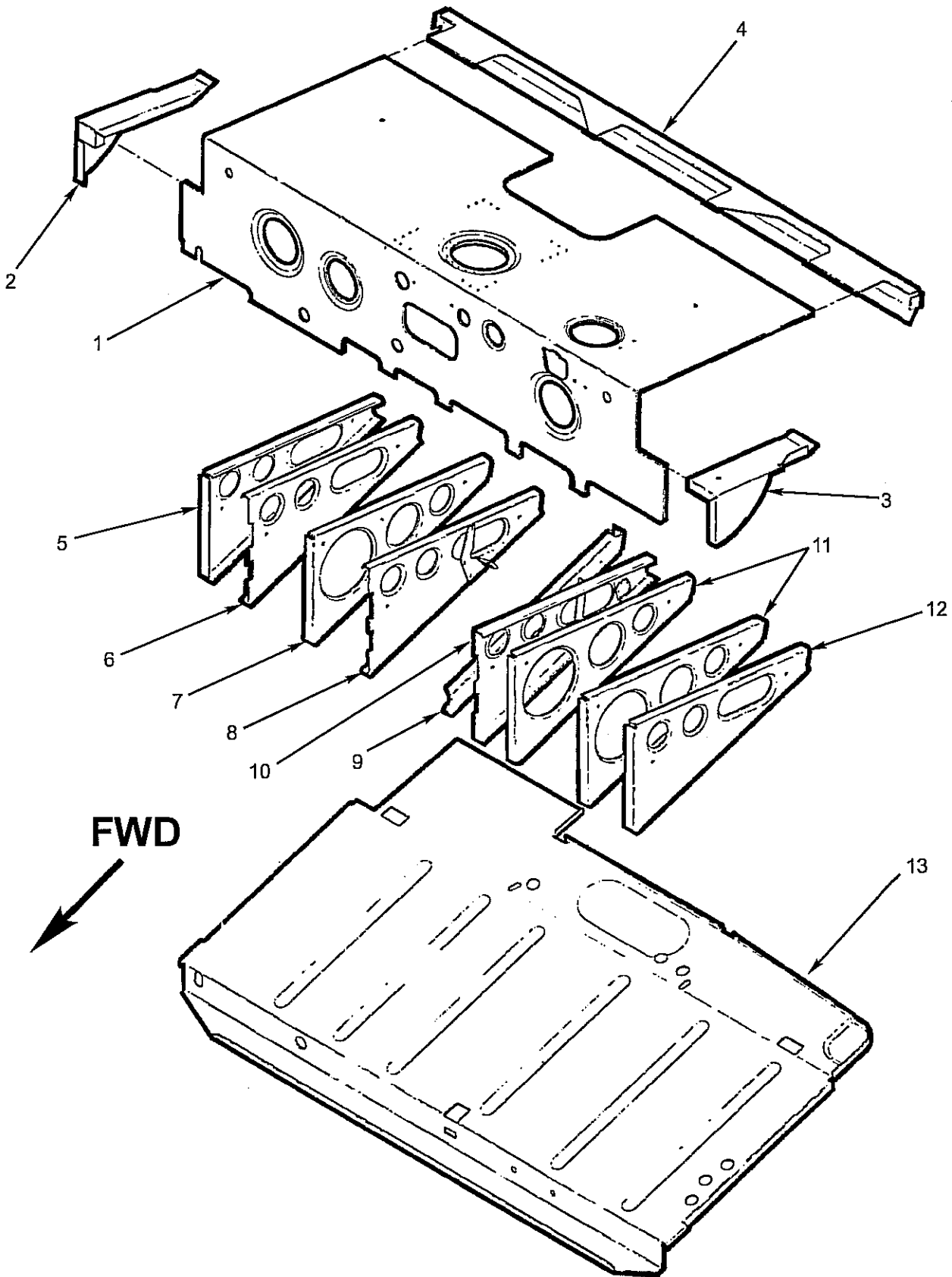


Figure 2-10. Seat Structure (Sheet 1 of 4)

FIGURE & INDEX NUMBER	PART NUMBER	DESCRIPTION	QTY PER ASSY	A/C SERIAL NUMBER AFFECTED
2-10 (Sheet 1)	269A9900-3 269A9900-13	SEAT STRUCTURE SEAT STRUCTURE		1166 -1700 1701 -1742
-1	269A9900-3U	• SEAT ASSY . . . . .	1	
-2	269A9909	•• SHELF, RH . . . . .	1	
-3	269A9910	•• SHELF, LH . . . . .	1	
-4	269A9904	•• CHANNEL . . . . .	1	
-5	269A9906-4	•• RIB . . . . .	1	
-6	269A9906-5	•• RIB . . . . .	1	
-7	269A2128	•• RIB . . . . .	1	
-8	269A9923	•• RIB . . . . .	1	
-9	269A9919	•• CHANNEL . . . . .	1	
-10	269A9918	•• RIB . . . . .	1	
-11	269A2128	•• RIB . . . . .	2	
-12	269A9906-3	•• RIB . . . . .	1	
-13	269A9924	•• FIREWALL (RB 269A9920-1) . . . . .	1	
	269A9920-1	•• FIREWALL (ALT 269A9920-3) . . . . .	1	

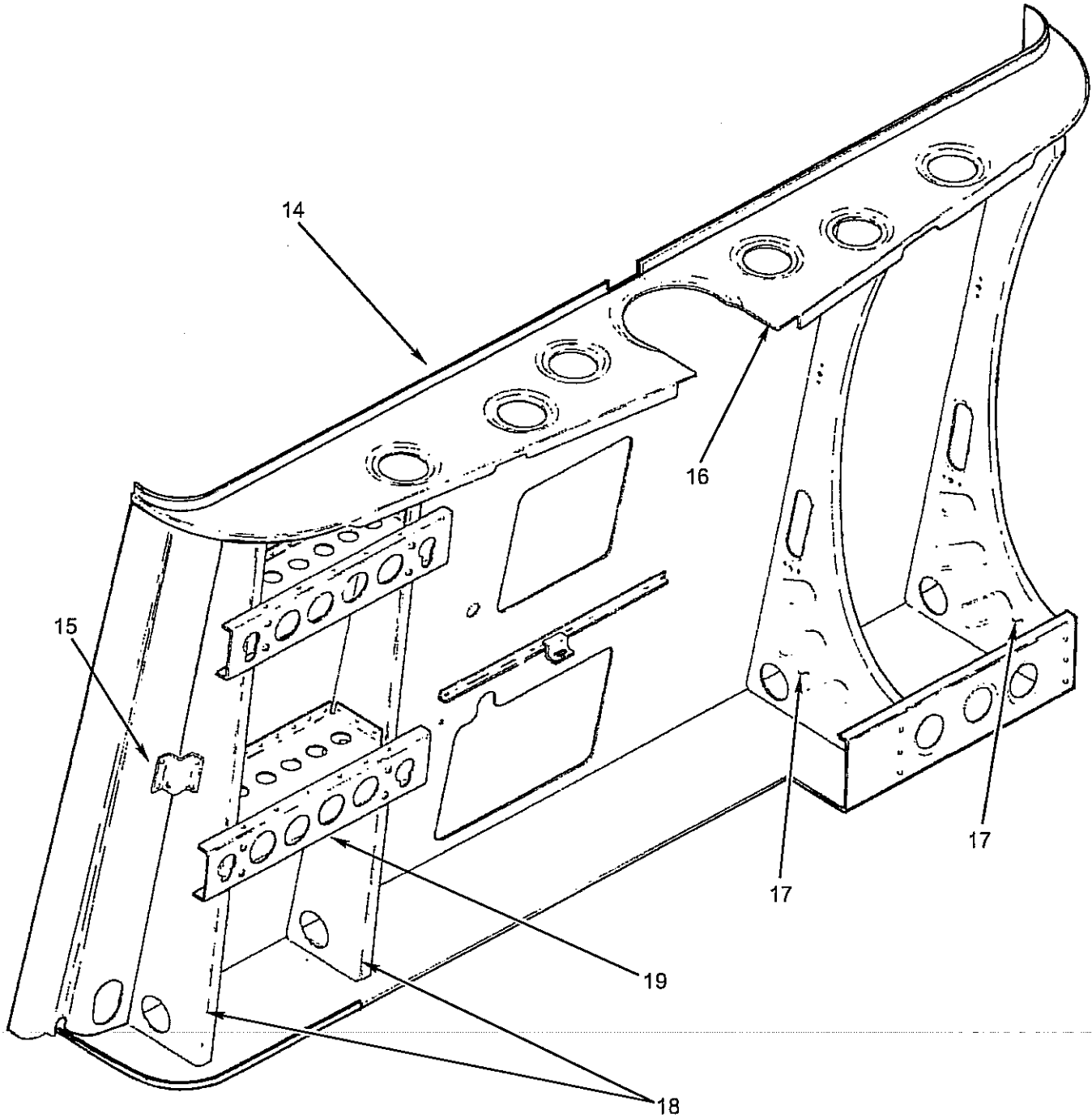


Figure 2-10. Seat Structure (Sheet 2 of 4)

FIGURE & INDEX NUMBER	PART NUMBER	DESCRIPTION	QTY PER ASSY	A/C SERIAL NUMBER AFFECTED
2-10 (Sheet 2)	269A9900-3 269A9900-13	SEAT STRUCTURE SEAT STRUCTURE		1166 -1700 1701 -1742
-14	269A9900-3X	• SEAT BACK . . . . .	1	
-15	269A7291	•• BRACKET. . . . .	2	
-16	269A2148-3N	•• BEAM . . . . .	1	
-17	269A9911R	•• TANK BEAM, RH . . . . .	2	
-18	269A9903L	•• TANK BEAM, LH . . . . .	2	
-19	269A4873	• BRACKET INST. KIT (See Figure 8-14) . . . . .	REF	

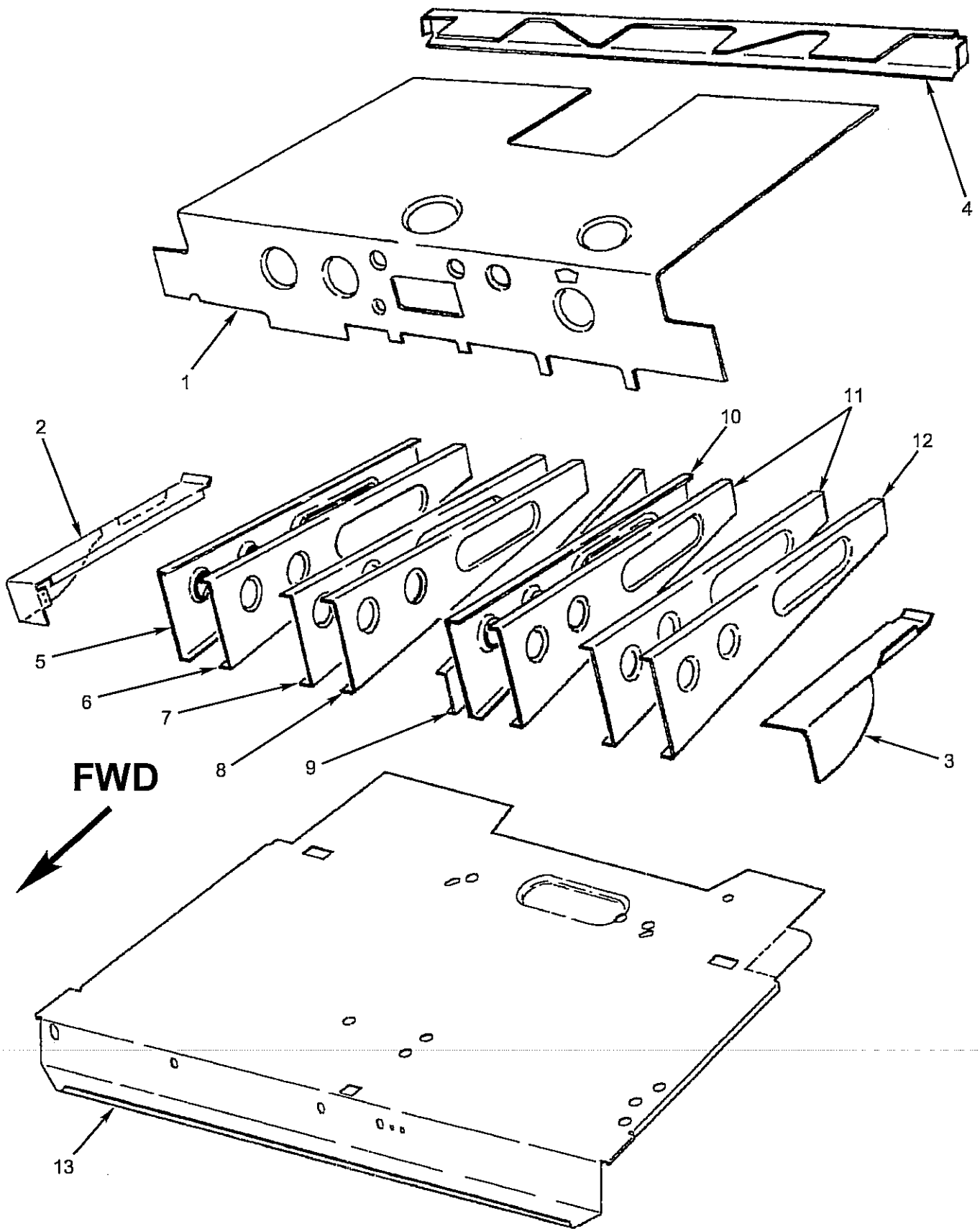


Figure 2-10. Seat Structure (Sheet 3 of 4)



FIGURE & INDEX NUMBER	PART NUMBER	DESCRIPTION	QTY PER ASSY	A/C SERIAL NUMBER AFFECTED
2-10 (Sheet 3)	269A9900-15	SEAT STRUCTURE		1743 & Subs.
-1	269A9913	• SEAT ASSY . . . . .	1	
-2	269A9909	•• SHELF, RH . . . . .	1	
-3	269A9910	•• SHELF, LH . . . . .	1	
-4	269A9904	•• CHANNEL . . . . .	1	
-5	269A2129-4	•• RIB . . . . .	1	
-6	269A9906-5	•• RIB . . . . .	1	
-7	269A2128	•• RIB . . . . .	1	
-8	269A2129-5	•• RIB . . . . .	1	
-9	269A9919	•• CHANNEL . . . . .	1	
-10	269A2129-5	•• RIB . . . . .	1	
-11	269A2128	•• RIB . . . . .	2	
-12	269A2129-3NB	•• RIB . . . . .	1	
-13	269A9920-1	•• FIREWALL (ALT 269A9920-3) . . . . .	1	

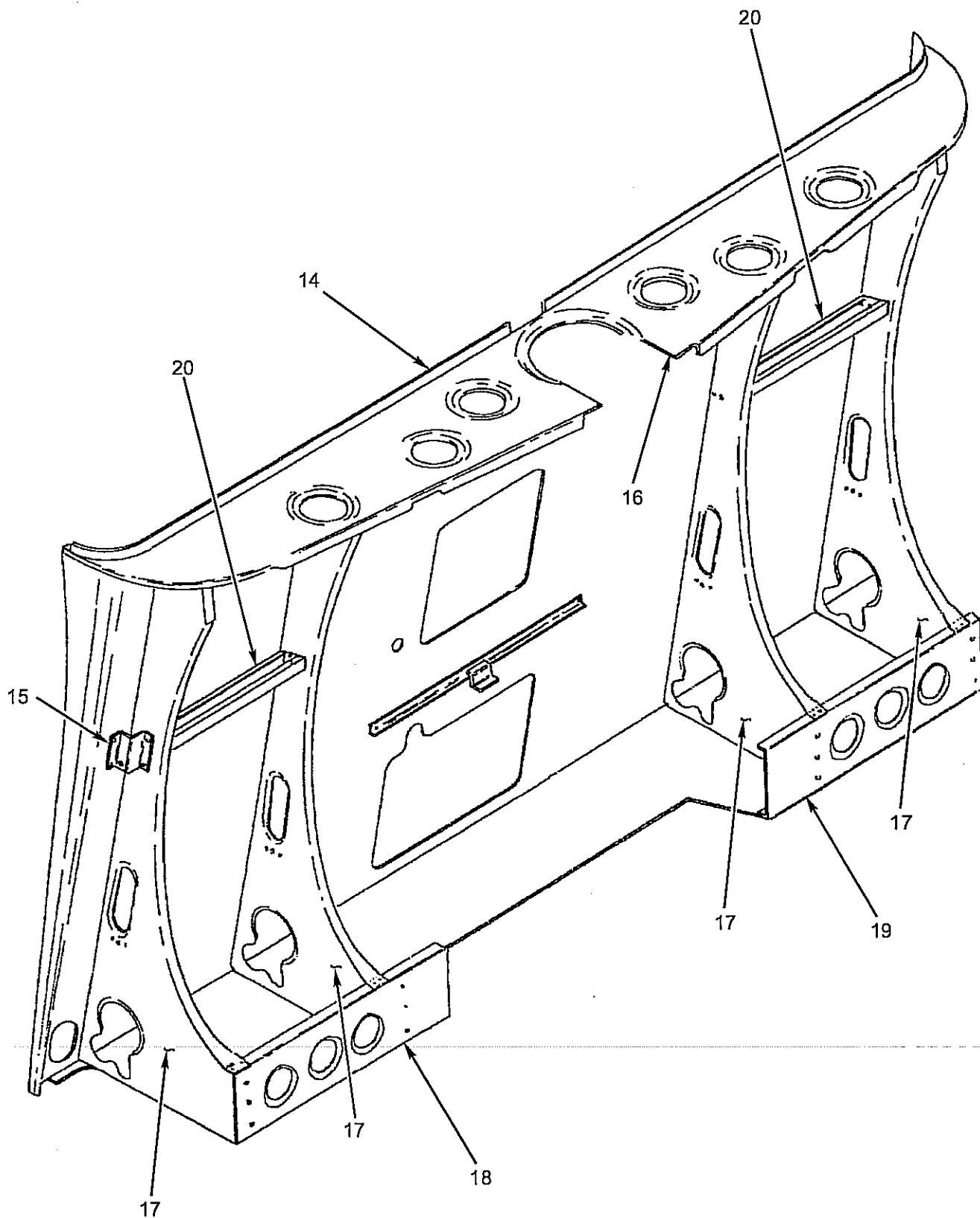


Figure 2-10. Seat Structure (Sheet 4 of 4)

FIGURE & INDEX NUMBER	PART NUMBER	DESCRIPTION	QTY PER ASSY	A/C SERIAL NUMBER AFFECTED
2-10 (Sheet 4)	269A9900-15	SEAT STRUCTURE		1743 & Subs.
-14	269A9900-815	▪ SEAT BACK . . . . .	1	
-15	269A7291	•• BRACKET . . . . .	2	
-16	269A2148-3N	•• BEAM . . . . .	1	
-17	269A9403-3	•• TANK BEAM . . . . .	4	
-18	269A9405-1	•• CHANNEL . . . . .	1	
-19	269A9405-2	•• CHANNEL . . . . .	1	
-20	269A4348L	•• ANGLE. . . . .	2	

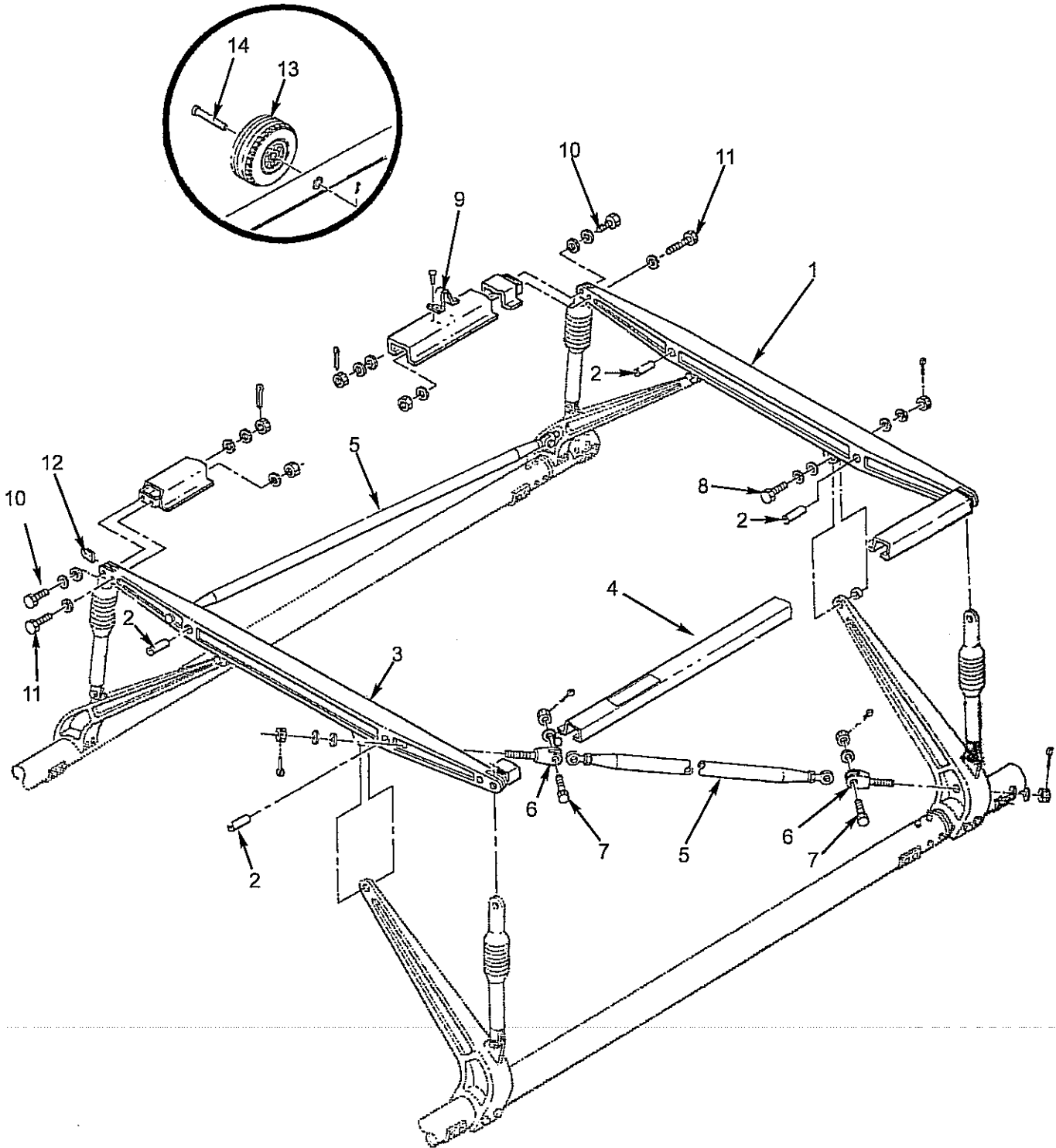


Figure 2-11. Landing Gear Assembly