

SCHWEIZER MODEL 269C HELICOPTER
ILLUSTRATED PARTS CATALOG

SECTION 5

POWERPLANT INSTALLATION

This page is intentionally left blank.

Table of Contents

Figure	Title	Page
5-1.	Powerplant Installation	5-2
5-2.	Exhaust System	5-6
5-3.	Engine Controls Installation.	5-8
5-4.	Throttle Control Cable Installation (269A8420-5)	5-10
5-5.	Fuel System Installation (Tank Connections)	5-12
5-6.	Fuel Tank Assembly.	5-14
5-7.	Fuel System Installation (Engine Connections).	5-16
5-8.	Fuel System Installation	5-18
5-9.	Fuel System Installation (269A8700)	5-20
5-10.	Fuel System Installation (Engine Connections).	5-24
5-11.	Fuel Filter Installation	5-26
5-12.	Engine Mount Installation	5-28
5-13.	Scroll Assembly Installation.	5-30
5-14.	Engine Cooling System.	5-32
5-15.	Lubrication System (SN 1166 thru 1724)	5-34
5-16.	Lubrication System (SN 1725 & Subs.).	5-38

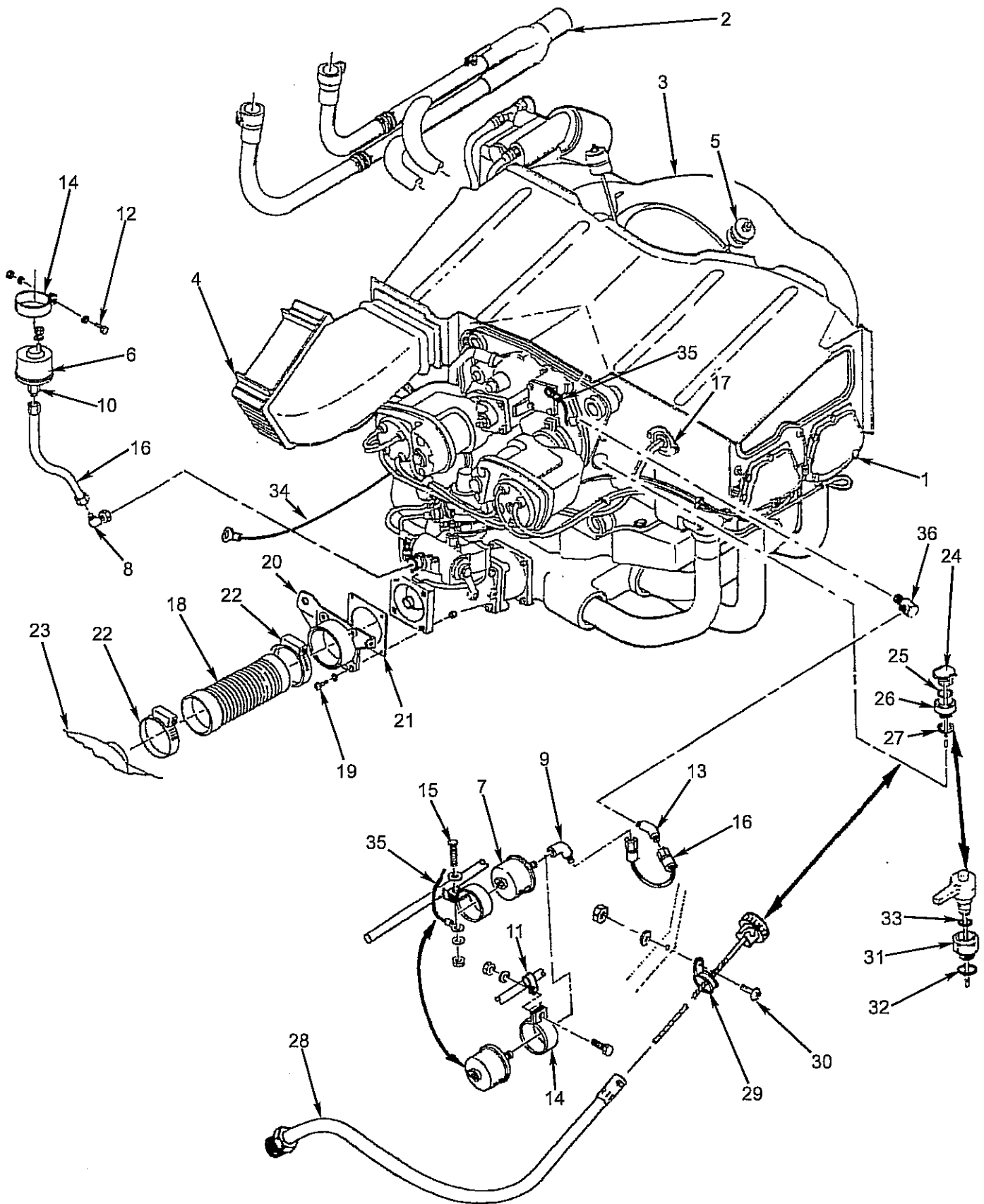


Figure 5-1. Powerplant Installation

FIGURE & INDEX NUMBER	PART NUMBER	DESCRIPTION	QTY PER ASSY	A/C SERIAL NUMBER AFFECTED
5-1	269A8003 269A8140 269A8588	POWERPLANT INSTALLATION		
-1	HIO-360-D1A	• ENGINE	REF	
-2	269A8201	• ENGINE EXHAUST SYS. (Fig. 5-2)	REF	
-3	269A8506	• ENGINE COOLING SYS.	REF	
-4	269A8566	• LUBRICATION SYS. (Fig. 5-15 or 5-16)	REF	
-5	269A8620	• ENGINE MOUNT INST. (Fig. 5-12)	REF	
-6	3060-00020	• SENDER-FUEL PRESSURE (RB 9800-002)	1	
	9800-002	• SENDER-FUEL PRESSURE	1	
-7	3060-00018	• SENDER-OIL PRESSURE (RB 9801-002)	1	
	9801-002	• SENDER-OIL PRESSURE	1	
-8	4-SA-5	• ELBOW	1	
-9	4-37-7	• CONNECTOR (ALT 2FA-4JMS OR 850 FS 04X02)	1	
-10	4 DTX-S	• CONNECTOR	1	
-11	AN742-H26	• CLAMP	1	
-12	AN3-4A	• BOLT (ALT NAS1303-1)	1	
	AN742-H26	• CLAMP	1	
	AN960KD10L	• WASHER	1	
	MS21044N3	• NUT	1	
-13	AN823-4D	• ELBOW	1	
-14	AN735-12	• CLAMP	1	
-15	AN3-5A	• BOLT (ALT NAS1304-3)	1	
	AN960KD10L	• WASHER	1	
	MS21044N3	• NUT	1	
-16	269A8327-147	• HOSE ASSY.	2	
-17	AN525-10R9	• SCREW	4	
	AN960-10	• WASHER	8	
	MS21042-3	• NUT	4	
-18	269A8139-11	• DUCT (Variation In Chin Skin Location May Require Shorter (4.00 in.) 269A8139-17 Duct; 269A8139-11 Duct is 5.50 in.)	1	1166 - 1348
	269A8139-17	• DUCT	1	1349 - 1735
	269A8174-7	• HOSE (3.25 INCH) (ALT SKEET 13)	1	1736 & Subs.
-19	AN520-416-16	• SCREW	4	
	AN960-416	• WASHER	4	
	MS21044A4 MSprint	• NUT MS21044N4	4	
-20	269A8428	• ADAPTER	1	
-21	269A8104	• GASKET	1	
-22	AN737TW114	• CLAMP	2	
-23	269A2276	• AIR FILTER HOUSING (Fig. 2-8)	REF	
-24	269A8588-3	• DIP STICK ASSY (RB 269A8500-1)	1	1166-1758
-25	72312	• O-RING	1	1166-1758
-26	77951	• ADAPTER	1	1166-1758
-27	72059	• GASKET	1	1166-1758
-28	269A8500-1	• DIP STICK (Order SA-269K-095-01 for Modification)	1	1759 & Subs.
-29	MS1919WDG21	• CLAMP	1	1759 & Subs.

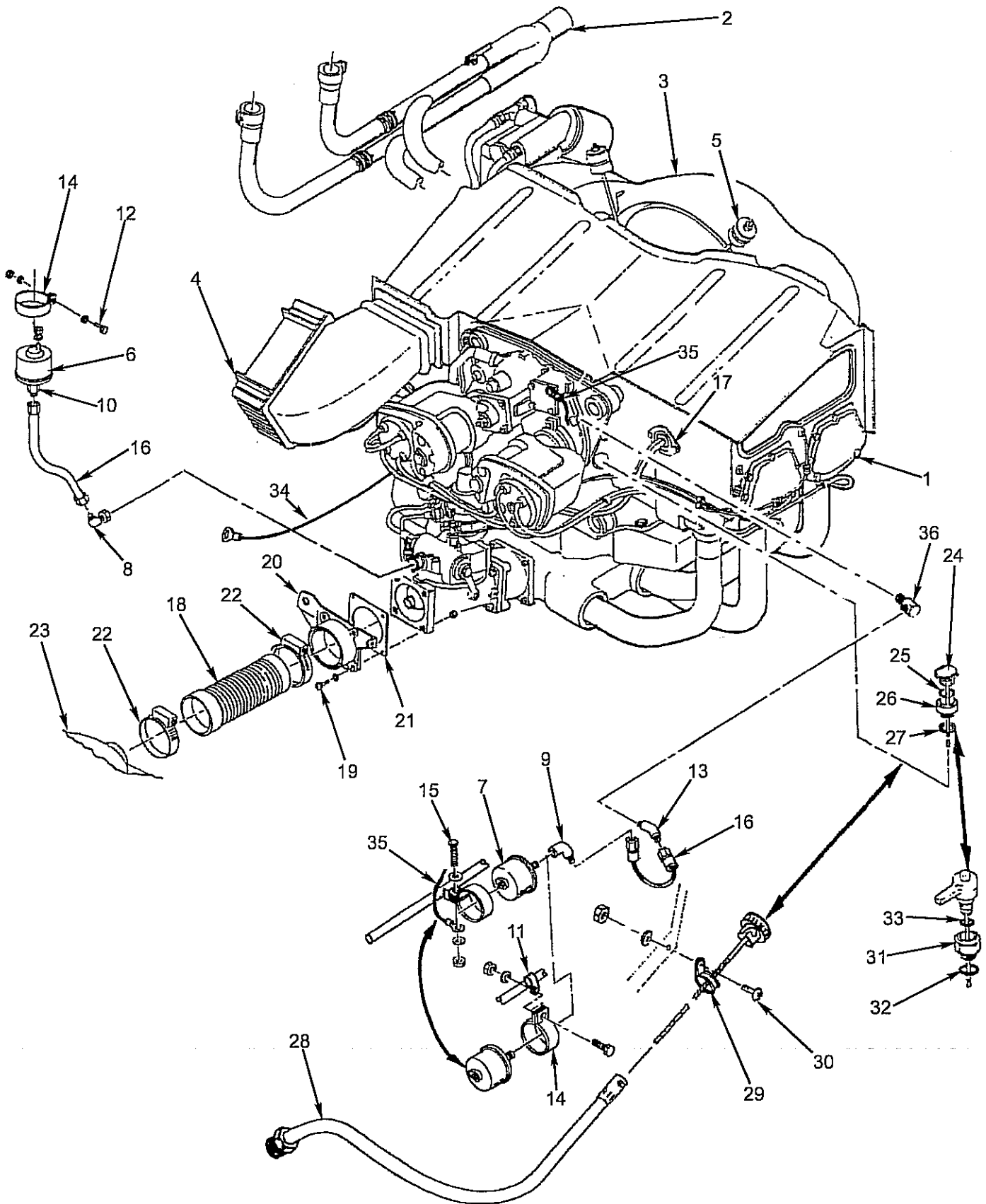


Figure 5-1. Powerplant Installation

FIGURE & INDEX NUMBER	PART NUMBER	DESCRIPTION	QTY PER ASSY	A/C SERIAL NUMBER AFFECTED
5-1	269A8003 269A8140 269A8588	POWERPLANT INSTALLATION		
-30	NAS603-10P AN960KD10 MS21044N3	<ul style="list-style-type: none"> • SCREW 1 • WASHER 1 • NUT 1 		1759 & Subs. 1759 & Subs. 1759 & Subs.
-31	269A4860	<ul style="list-style-type: none"> • DIP STICK (Optional) 1 		
-32	MS28778-12	<ul style="list-style-type: none"> • PACKING 1 		
-33	MS28775-115	<ul style="list-style-type: none"> • PACKING 1 		
-34	269A4485-1	<ul style="list-style-type: none"> • JUMPER, BOND 1 		
-35	269A4485-3	<ul style="list-style-type: none"> • JUMPER, BOND 1 		
-36	44701	<ul style="list-style-type: none"> • ADAPTER FITTING 1 		1863 & Subs.

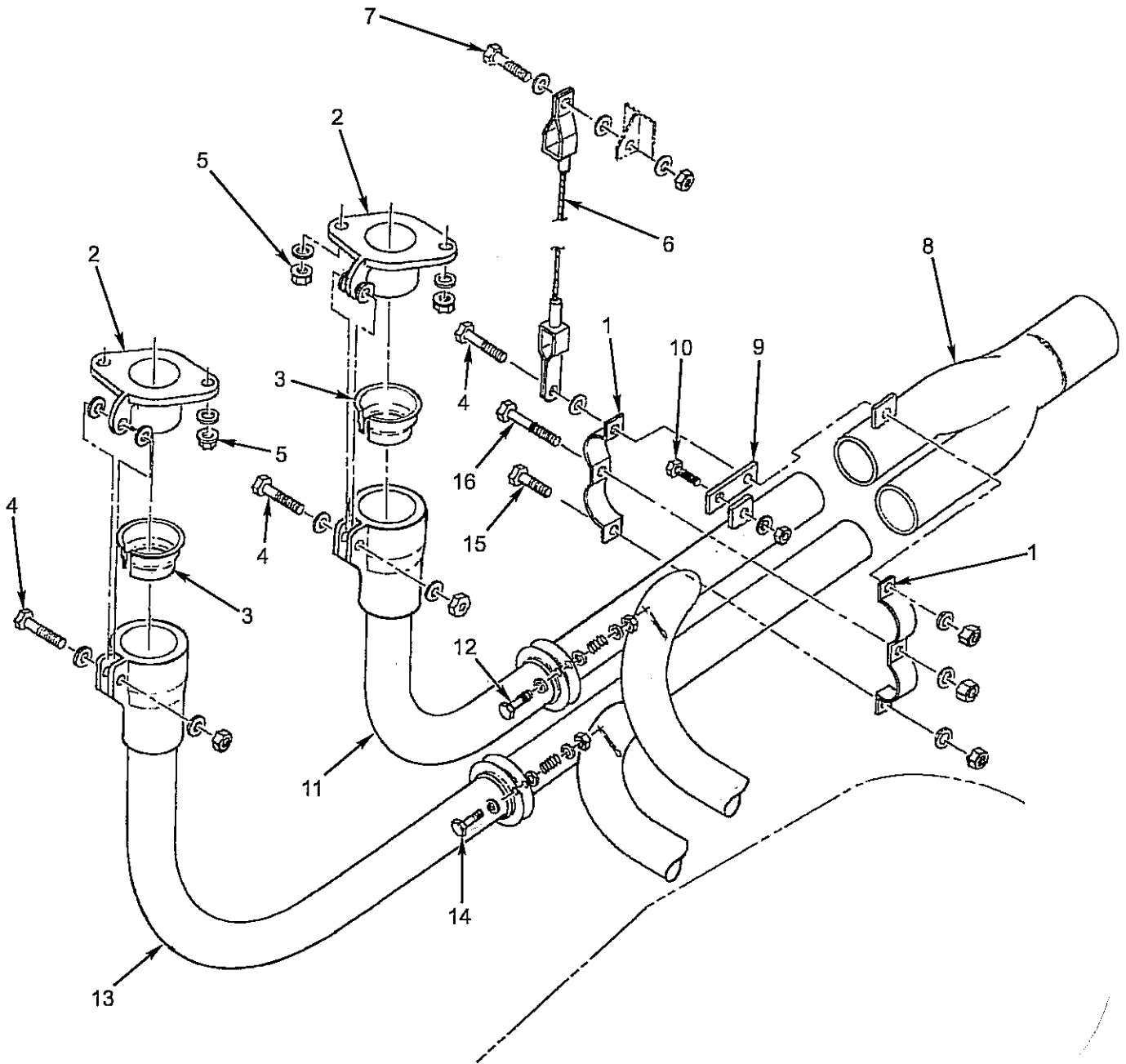


Figure 5-2. Exhaust System

FIGURE & INDEX NUMBER	PART NUMBER	DESCRIPTION	QTY PER ASSY	A/C SERIAL NUMBER AFFECTED
5-2	269A8201	EXHAUST SYSTEM		
-1	269A8219	• CLAMP	2	
-2	269A8207-3	• FLANGE.	4	
-3	269A8225-3	• SEAL-EXHAUST	4	
-4	AN4C7A	• BOLT (ALT MS20034-4)	5	
	AN960C416L	• WASHER	AR	
	NAS1021C4	• NUT (ALT MS21046C4).	5	
-5	AN960C516L	• WASHER	8	
	0518AA-10	• NUT	8	
-6	269A8223	• HANGER ASSY.	1	1166 - 1234
	269A8223-7	• HANGER ASSY.	1	1235 & Subs.
-7	AN4-5A	• BOLT (ALT NAS1304-3)	1	
	AN960-416L	• WASHER	AR	
	MS21042-4	• NUT	1	
-8	269A8238-1	• COLLECTOR (ALT 269A8238)	1	
-9	269A8807-7	• STRAP (OPT. 269A8807-5)	1	
-10	AN4C5A	• BOLT	1	
	AN960C416	• WASHER	A/R	
	NAS1021C4	• NUT (ALT MS21046C4).	1	
-11	269A8205-61	• MANIFOLD ASSY.	1	
-12	AN3C13	• BOLT	3	
	186-218	• SPRING	3	
	AN310C-3	• NUT	3	
	MS24665-153	• COTTER PIN.	3	
-13	269A8206-61	• MANIFOLD ASSY.	1	
-14	AN3C13	• BOLT	3	
	186-218	• SPRING	3	
	AN310C-3	• NUT	3	
	MS24665-153	• COTTER PIN.	3	
-15	AN4C6A	• BOLT	1	
	AN960C416	• WASHER	1	
	NAS1021C4	• NUT (ALT MS21046C4)	1	
-16	AN4C20A	• BOLT	1	
	AN960C416	• WASHER	1	
	NAS1021C4	• NUT (ALT MS21046C4).	1	

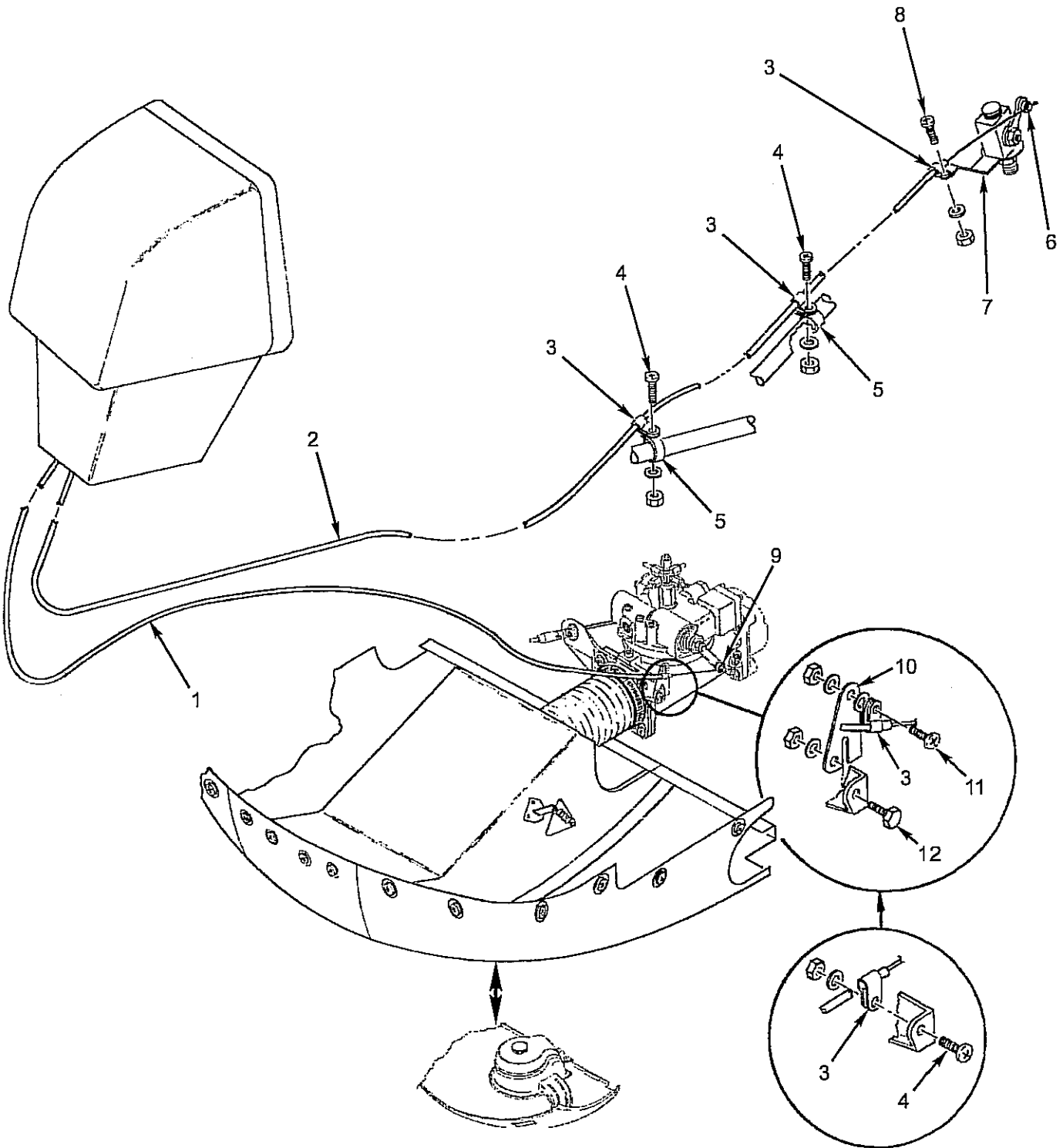
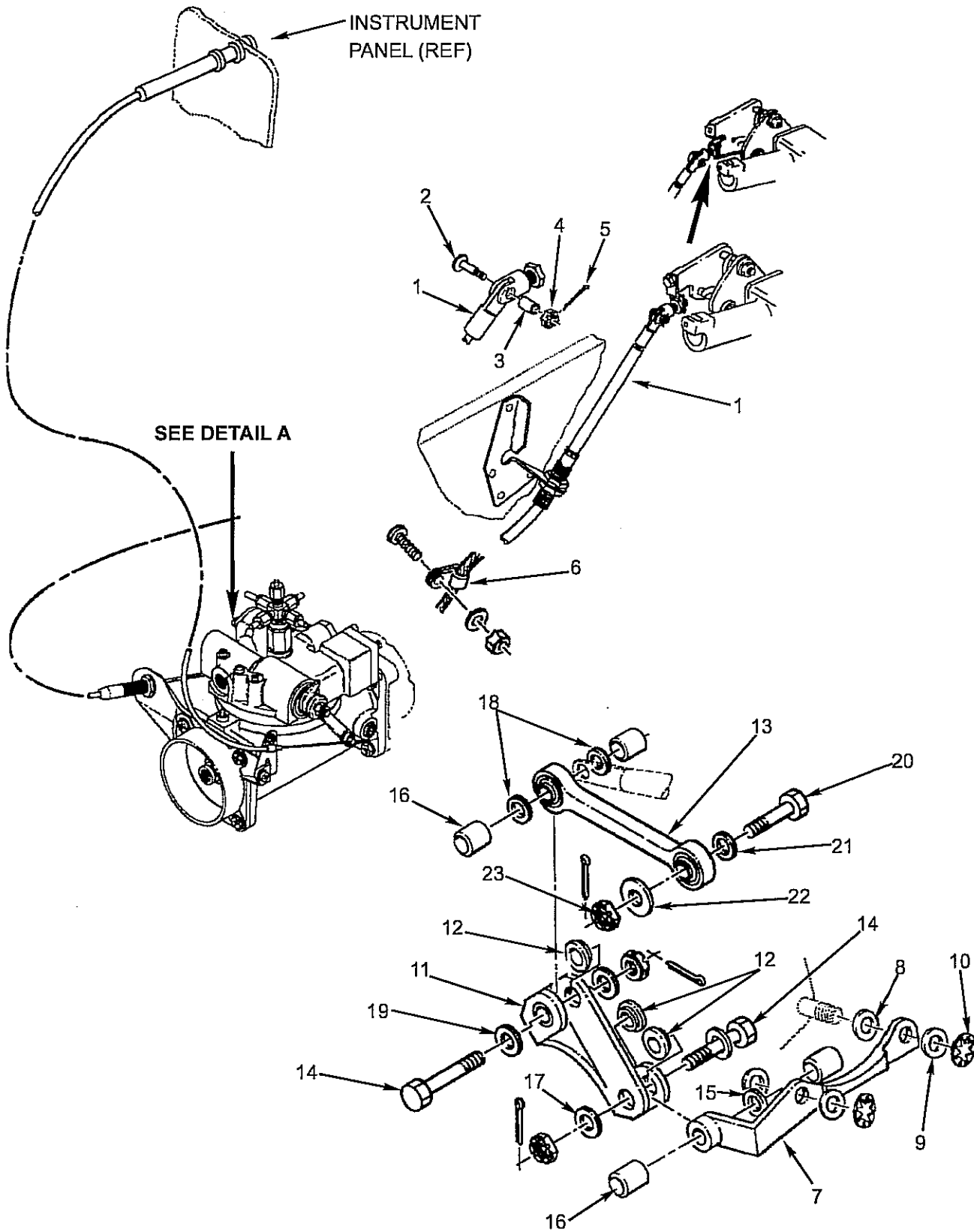


Figure 5-3. Engine Controls Installation

FIGURE & INDEX NUMBER	PART NUMBER	DESCRIPTION	QTY PER ASSY	A/C SERIAL NUMBER AFFECTED
5-3	269A8402	ENGINE CONTROLS INST.		
-1	345-006-195-3	• VERNIER CONTROL (MIXTURE) (Fig. 6-1 or 6-3)	REF	
-2	269A4897-901	• CONTROL-FUEL VALVE SHUTOFF (Fig. 6-1 or 6-3)	REF	
-3	AN742-4	• CLAMP	4	
-4	NAS603-8P	• SCREW	3	
	AN960KD10L	• WASHER	5	
	MS21044N3	• NUT	5	
-5	MS21919DG12	• CLAMP	2	
-6	STD10195D-3	• SWIVEL (FUEL SUPPLY)	1	
-7	269A8451	• BRACKET	1	
-8	NAS603-8P	• SCREW	1	
	AN960KD10	• SCREW	1	
	MS21044N3	• NUT	1	
-9	STD10195-5	• SWIVEL (FUEL MIXTURE).	1	
-10	269A8465-1	• SUPPORT	1	1736 & Subs.
-11	NAS603-10P	• SCREW	1	1736 & Subs.
	AN960KD10L	• WASHER	2	1736 & Subs.
	MS21044N3	• NUT	1	1736 & Subs.
-12	NAS1303-3	• BOLT	1	1736 & Subs.
	AN960KD10L	• WASHER	1	1736 & Subs.
	MS21044N3	• NUT	1	1736 & Subs.



DETAIL A - RIGHT SIDE VIEW

Figure 5-4. Throttle Control Cable Installation (269A8420-5)

FIGURE & INDEX NUMBER	PART NUMBER	DESCRIPTION	QTY PER ASSY	A/C SERIAL NUMBER AFFECTED
5-4	269A8420-5 269A8425-3	THROTTLE CONTROL CABLE INST. LINKAGE ASSY (SEE DETAIL "A" FOR BKDN)		
-1	269A4683-5 269A4683-7	• CABLE ASSY (THROTTLE) • CABLE ASSY (THROTTLE) (ALT 269A4683-9)	1 1	1166 - 1199 1200 & Subs.
-2	269A7131-3	• SCREW	1	
-3	269A8445-3	• BUSHING	1	
-4	AN320-3	• NUT	1	
-5	MS24665-151	• COTTER PIN (ALT 381-15-5)	1	
-6	AN742-4 AN520-10R8 AN960-10 AN320-3	• CLAMP • SCREW • WASHER • NUT (ALT MS21044N3)	1 1 1 1	
-7	269A8430	• BRACKET	1	
-8	AN960-516	• WASHER	2	
-9	AN960-516L	• WASHER	2	
-10	AN936B515	• WASHER (ALT SHS306-327H)	2	
-11	269A8442-2	• ARM ASSY	1	
-12	NAS77A-6-28	• BUSHING	4	
-13	269A8441	• LINK ASSY	1	
-14	NAS464P4-23	• BOLT (ALT NAS1304-23D)	2	
-15	AN960-416	• WASHER	1	
-16	269A8437	• BUSHING	4	
-17	NAS960-416L	• WASHER	2	
-18	NAS960-416L	• WASHER	AR	
-19	NAS960-416	• WASHER	2	
-20	NAS464P4-11	• BOLT	1	
-21	NAS960-416	• WASHER	1	
-22	269A8449	• WASHER (ALT SHS306-327H)	1	
-23	AN320-4 AN381-2-7	• NUT • COTTER PIN (ALT MS42665-151)	3 3	

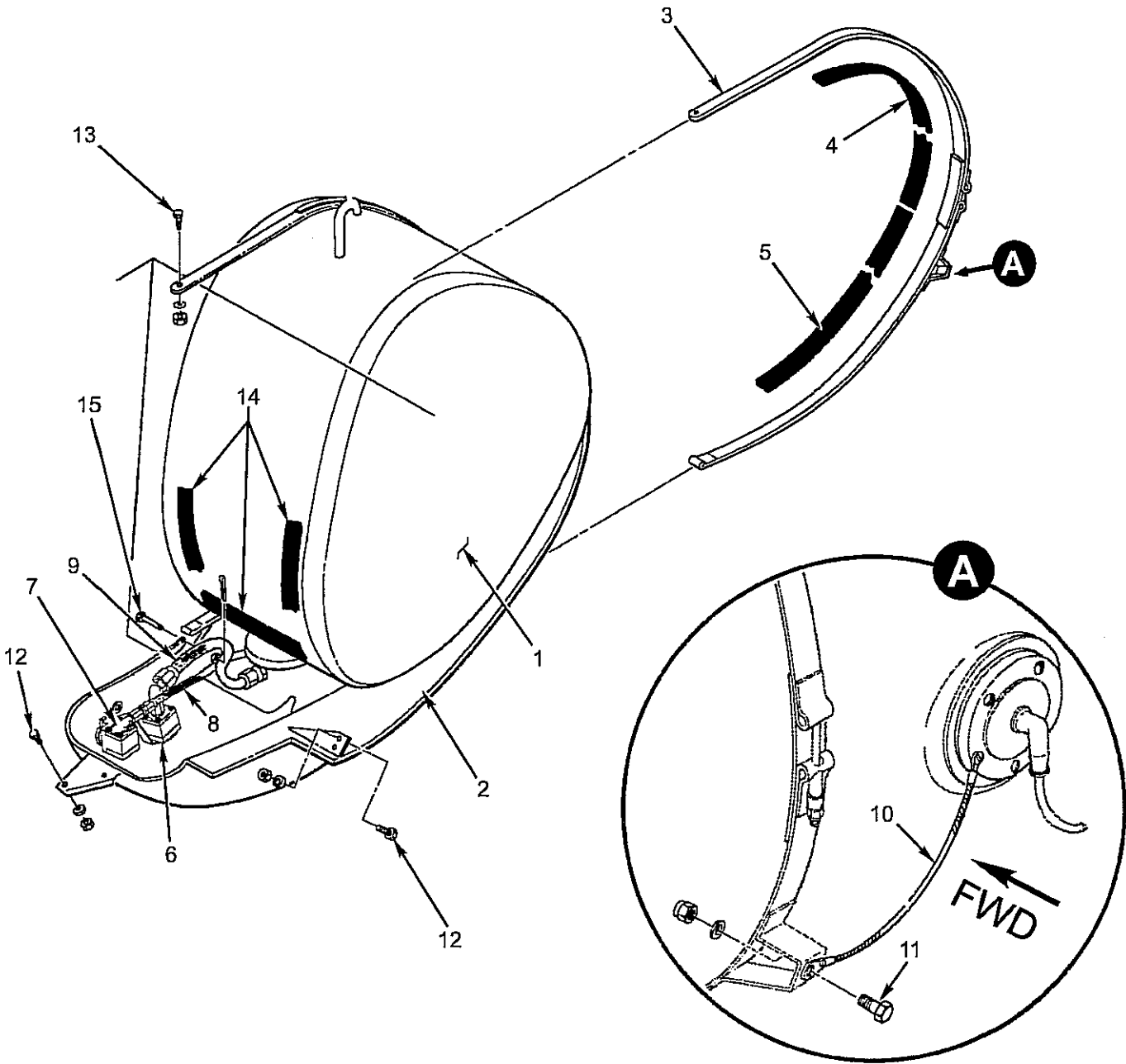


Figure 5-5. Fuel System Installation (Tank Connections)

FIGURE & INDEX NUMBER	PART NUMBER	DESCRIPTION	QTY PER ASSY	A/C SERIAL NUMBER AFFECTED
5-5	269A8352 269A8700-1	FUEL SYSTEM INST. FUEL SYSTEM		1166 -1802 1803 & Subs.
-1	269A9975-15 269A8388-1	• FUEL TANK ASSY (Fig. 5-6)	REF	
		• FUEL TANK ASSY (Crash Resistant)	1	
-2	269A9927 269A9927-31	• FIREWALL ASSY (RB 269A9927-31)	1	1166 -1742
	269A9927-35	• FIREWALL ASSY	1	1743 -1771
		• FIREWALL ASSY	1	1772 -1802
-3	269A8329-15 269A8329-27 269A8329-23 269A8329-33	• STRAP ASSY	2	1166-1494
		• STRAP ASSY	2	1495-1802
		• STRAP ASSY (Crash Resistant, RB 269A8329-33).	2	
		• STRAP ASSY (Crash Resistant)	2	
-4	269A8330-15	• PAD, UPPER (ALT 269A8330-11)	2	
-5	269A8330-11	• PAD, LOWER	2	
-6	269A4598-3	• FUEL VALVE	1	
-7	269A4594-3	• VALVE-TANK DRAIN	1	
-8	269A8327-59	• TUBE ASSY	1	
-9	269A8327-87	• TUBE ASSY	1	
-10	MS25083-2BB6	• JUMPER	1	
-11	AN3-3A AN960-10 MS21044N3	• BOLT (ALT NAS1303-1)	1	
		• WASHER (ALT NAS1149F0363P)	AR	
		• NUT	1	
-12	AN3-3A AN960-10 MS21044N3	• BOLT (ALT NAS1303-1)	4	
		• WASHER (ALT NAS1149F0363P)	4	
		• NUT	4	
-13	AN4-5A AN960KD416 MS20365-428	• BOLT (ALT NAS1304-3)	2	
		• WASHER (ALT NAS1149D0416K)	2	
		• NUT (ALT MS21083N4).	2	
-14	SHS2026-2300	• EXTRUSION	FT	
-15	AN393-47 NAS620-10 MS24665-153	• PIN	2	
		• WASHER	2	
		• COTTER PIN	2	

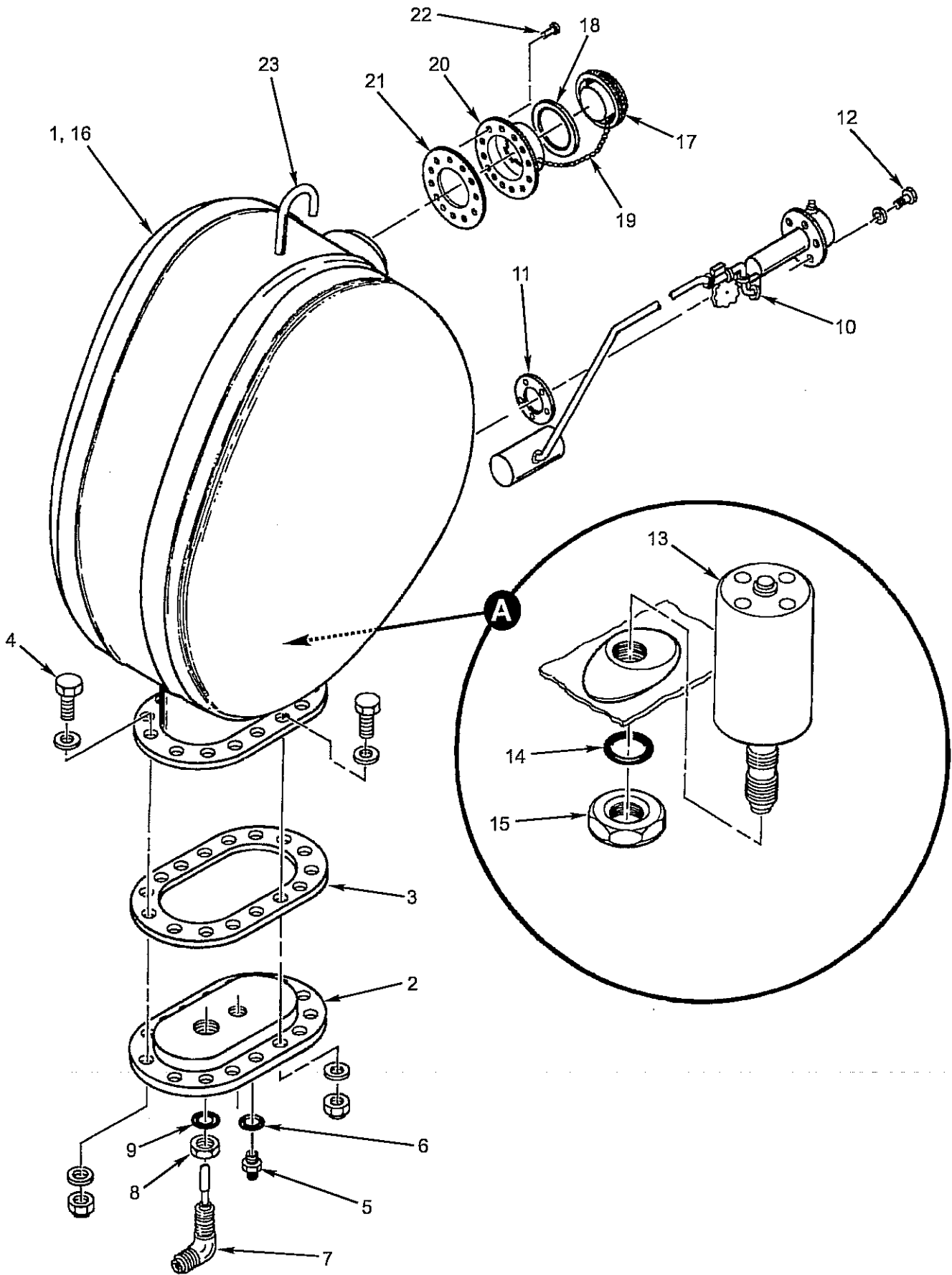


Figure 5-6. Fuel Tank Assembly

FIGURE & INDEX NUMBER	PART NUMBER	DESCRIPTION	QTY PER ASSY	A/C SERIAL NUMBER AFFECTED
5-6	269A9975	FUEL TANK ASSEMBLY		1166 - 1802
-1	269A9975-15	• FUEL TANK ASSEMBLY	1	
-2	269A9977	•• SUMP CAP	1	
-3	269A9975-5	•• GASKET (Optional)	1	
-4	AN4C7A	•• BOLT	16	
	AN960KD416	•• WASHER	32	
	MS21044C4	•• NUT (ALT MS21044D4)	16	
-5	269A8368	•• UNION.	1	
-6	MS29513-114	•• O-RING	1	
-7	269A8367-19	•• OUTLET/STRAINER	1	
-8	AN924-8D	•• NUT	1	
-9	MS29513-114	•• O-RING	1	
-10	7740-00190	•• SENDER	1	
-11	269A4639	•• GASKET	1	
-12	AN520-10R12	•• SCREW	1	
	NAS620-10L	•• WASHER	1	
-13	269A4561	•• SWITCH - LOW FUEL	1	
-14	MS29513-14	•• O-RING	1	
-15	AN924-6D	•• NUT	1	
-16	269A9975-11	•• FUEL TANK	1	
-17	269A4675	••• FUEL CAP	1	
	NAS1021C3	••• FUEL CAP, LOCKING (OPTIONAL)	1	
-18	269A8337	••• GASKET	1	
-19	NAS1455BO-6C	••• CHAIN	1	
-20	269A4676	••• FILLER NECK.	1	
-21	269A8323	••• GASKET	1	
-22	MS20470AD4	••• RIVET	1	
-23	269A8320	••• TUBE	1	

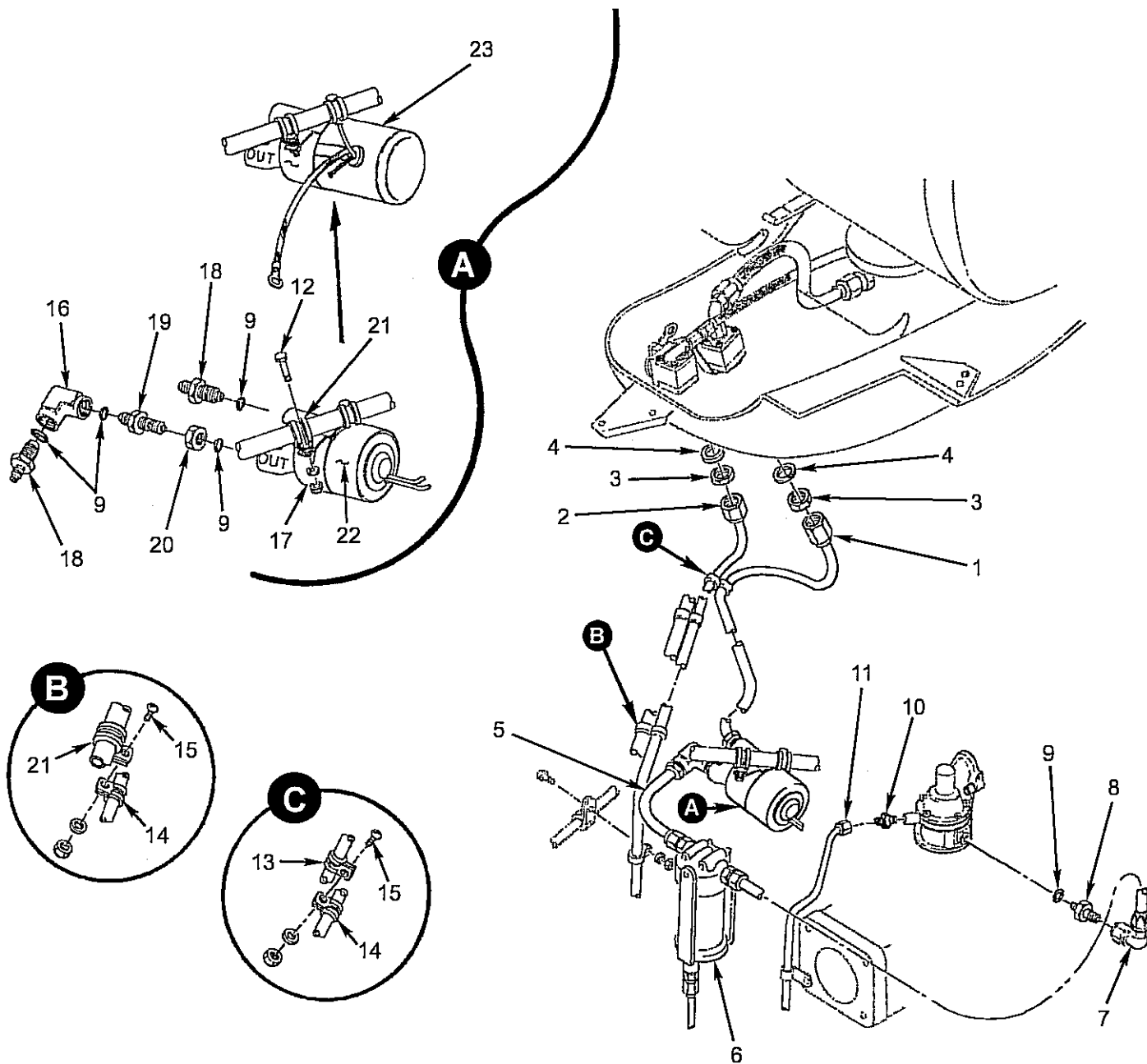


Figure 5-7. Fuel System Installation (Engine Connections)

FIGURE & INDEX NUMBER	PART NUMBER	DESCRIPTION	QTY PER ASSY	A/C SERIAL NUMBER AFFECTED
5-7	269A8352	FUEL SYSTEM INST.		1166 -1802
-1	269A8326-215T	• TUBE ASSY	1	
-2	269A8326-107	• TUBE ASSY	1	
-3	AN924-8	• NUT	2	
-4	AN960-1216L	• WASHER	AR	
-5	269A8326-211	• TUBE ASSY	1	1166 -1689 1692 -1695
	269A8326-241	• TUBE ASSY	1	1690 -1691 1696 & Subs.
-6	269A8313-7	• FILTER INSTALLATION (Fig. 5-11)	REF	
-7	269A8327-67	• TUBE ASSY	1	
-8	8-6SA-2	• REDUCER	1	
-9	MS29512-6	• O-RING	5	
-10	269A8308	• RESTRICTED FITTING	1	
-11	269A8326-235	• TUBE ASSY, DRAIN	1	
	MS21333-98	• CLAMP	1	
-12	NAS464P4-3	• BOLT (ALT NAS1104-3D)	2	
	AN960KD416L	• WASHER	2	
	MS20364-428	• NUT (ALT MS21083N4)	2	
-13	MS21919DG12	• CLAMP	4	
-14	MS21919DG8	• CLAMP	3	
-15	NAS221-10	• SCREW	4	
	AN960-10L	• WASHER	4	
	MS20365-1032	• NUT (ALT MS21044N3)	4	
-16	AN939-6D	• ELBOW	1	
-17	914-250-D	• CLAMP - FUEL PUMP	1	
-18	AN919-12D	• REDUCER	2	
-19	AN832-6D	• BULKHEAD UNION	1	
-20	AN924-6D	• NUT	1	
-21	MS21919DG12	• CLAMP	2	
-22	269A8311-5	• AUX FUEL PUMP (RB 269A4090-1)	1	1166 -1786
-23	269A4090-1	• AUX FUEL PUMP ASSY	1	1787 & Subs.

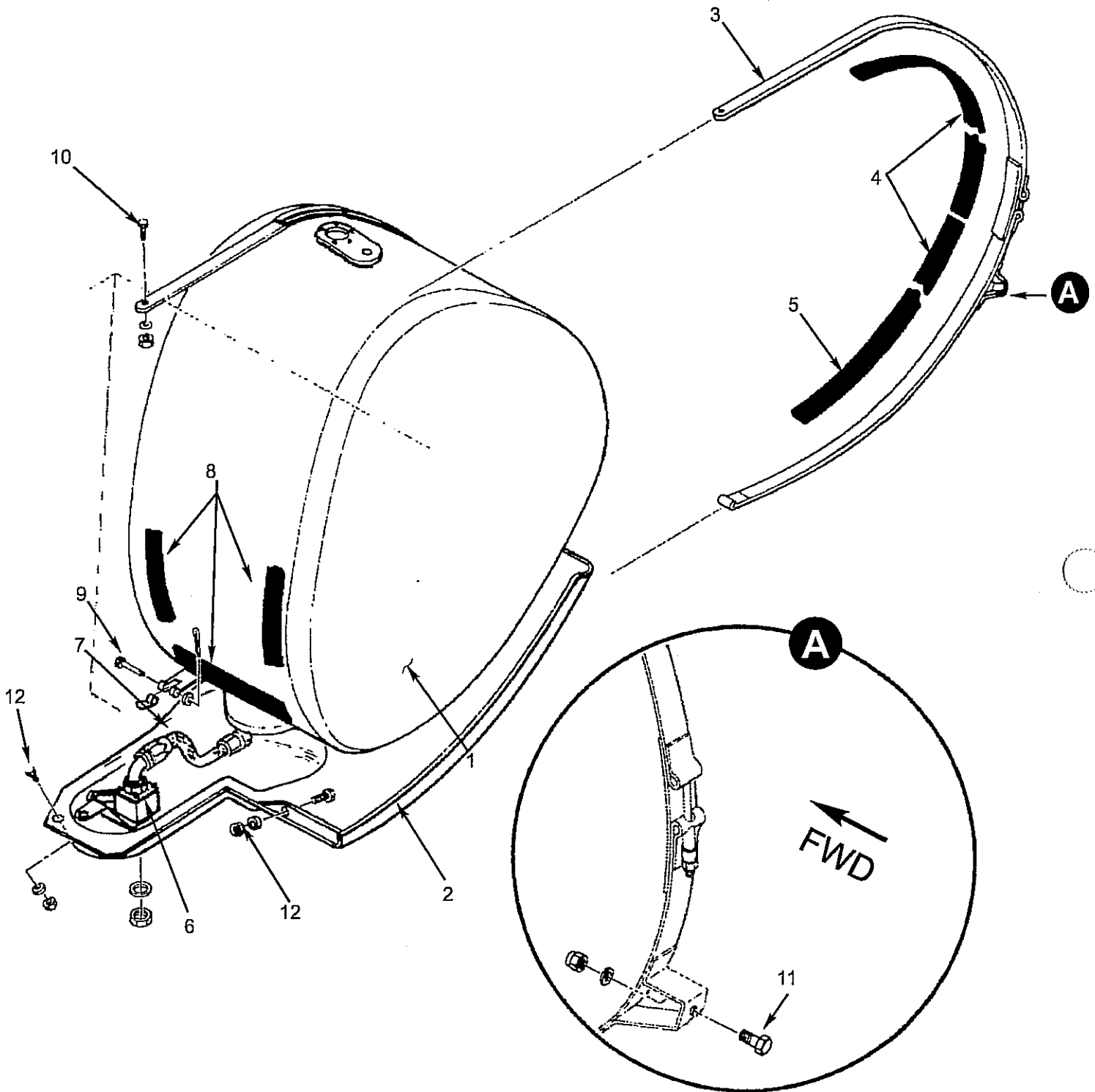


Figure 5-8. Fuel System Installation

FIGURE & INDEX NUMBER	PART NUMBER	DESCRIPTION	QTY PER ASSY	A/C SERIAL NUMBER AFFECTED
5-8	269A8700-1	FUEL SYSTEM INSTALLATION		1803 & Subs.
-1	269A9975-111	• FUEL TANK ASSY (Fig. 5-9)	1	
	269A8700-25	• FUEL TANK ASSY (Crash Resistant)	1	
-2	269A9406-9	• FIREWALL ASSY	1	
-3	269A8329-23	• STRAP ASSY	2	
	269A8329-33	• STRAP ASSY (Crash Resistant)	2	
-4	269A8330-11	• PAD, UPPER	4	
-5	269A8330-17	• PAD, LOWER (Crash Resistant only)	2	
-6	269A4598-3	• FUEL VALVE	1	
	269A8451	• BRACKET	1	
	AN960-1216L	• WASHER	1	
	AN924-8	• NUT	1	
-7	269A8327-3	• HOSE ASSY	1	
-8	HS2026AMS3241	• PAD (RB 269A8330-11)	AR	1803-1839
	269A8330-11	• PAD	AR	1840 & Subs.
-9	MS20392-2C47	• PIN	2	
	NAS620-10	• WASHER	2	
	MS24665-151	• COTTER PIN	2	
-10	AN4-5A	• BOLT	2	
	AN960KD416	• WASHER	2	
	MS21044N4	• NUT	2	
-11	AN3-4A	• BOLT	2	
	SHS306-224H	• WASHER	2	
	AN960-10	• WASHER	AR	
	MS21044N3	• NUT	2	
-12	NAS1096-2-7	• SCREW	5	
	AN960C8	• WASHER	5	
	MS21042-08	• NUT	5	

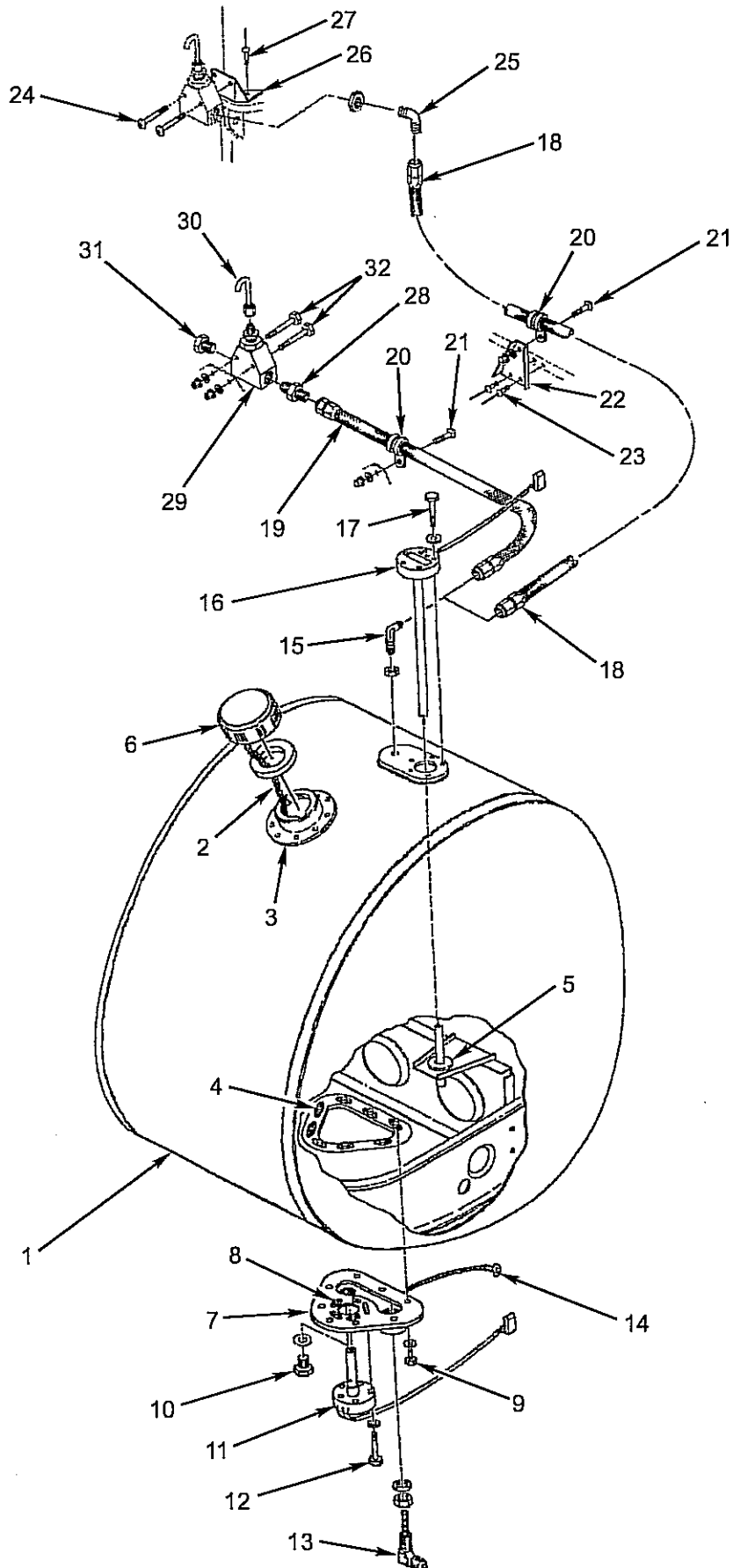


Figure 5-9. Fuel System Installation (269A8700)

FIGURE & INDEX NUMBER	PART NUMBER	DESCRIPTION	QTY PER ASSY	A/C SERIAL NUMBER AFFECTED
5-9	269A8700-1	FUEL SYSTEM INST.		1803 & Subs.
-1	269A9975-111	• TANK ASSY	1	
-2	#1-0	•• SAFETY CHAIN	1	
-3	269A4676	•• FILLER NECK	1	
	MS20470AD4	•• RIVET	12	
-4	STD10963-2	•• NUT PLATE	8	
	MS20426AD3	•• RIVET	16	
-5	MS35489-16	•• GROMMET	1	
-6	269A4675	• FUEL CAP	1	
	269A8337	•• GASKET	1	
	NAS1919B04S02	• RIVET, (SAFETY CHAIN)	1	
-7	269A9403-11	• SUMP CAP ASSY	1	
-8	STD10963-1	•• NUT PLATE	5	
	MS20426AD3	•• RIVET	10	
-9	AN4C10A	• BOLT	8	
	AN960KD10	• WASHER	8	
-10	AN814-8DL	• PLUG	1	
	MS29513-114	• O-RING	1	
-11	269A9410-5	• SWITCH, LOW LEVEL WARNING	1	
-12	NAS1303-16	• BOLT	5	
	AN960KD10	• WASHER	5	
-13	269A8367-23	• STRAINER ASSY.	1	
	AN924-8D	• NUT	1	
	MS29513-114	• O-RING	1	
-14	269A4485-1	• GROUND STRAP ASSY	1	
	NAS1303-4	• BOLT	1	
	NAS1149D0332J	• WASHER	2	
	MS21044N3	• NUT	1	
-15	AN833-4D	• ELBOW	1	
	AN924-4D	• NUT	1	
-16	269A9410-1	• FUEL QUANTITY	1	
-17	NAS1303-13	• BOLT	5	
	AN960-10D	• WASHER	5	
-18	269A8327-341	• TUBING ASSY	1	1803 - 1809
-19	269A8327-357	• TUBING ASSY	1	1810 & Subs.
-20	MS21919WDG8	• CLAMP	1	
-21	NAS1096-3-6	• SCREW	1	
	AN960KD10L	• WASHER	1	
	MS21042-3	• NUT	1	
-22	269A9883-1	• BRACKET	1	1803 - 1809
-23	MS20470AD4	• RIVET	2	1803 - 1809
-24	NAS602-22P	• SCREW	2	1803 - 1809
-25	AN833-4D	• ELBOW	1	1803 - 1809
	AN924-4D	• NUT	1	1803 - 1809
-26	269A9882	• BRACKET	1	1803 - 1809
-27	CR3242-4-8	• RIVET	4	1803 - 1809
-28	AN815-4D	• UNION	1	1810 & Subs.
-29	269A9880-7	• VENT ASSY	1	
-30	269A9880-5	• TUBE ASSY	1	

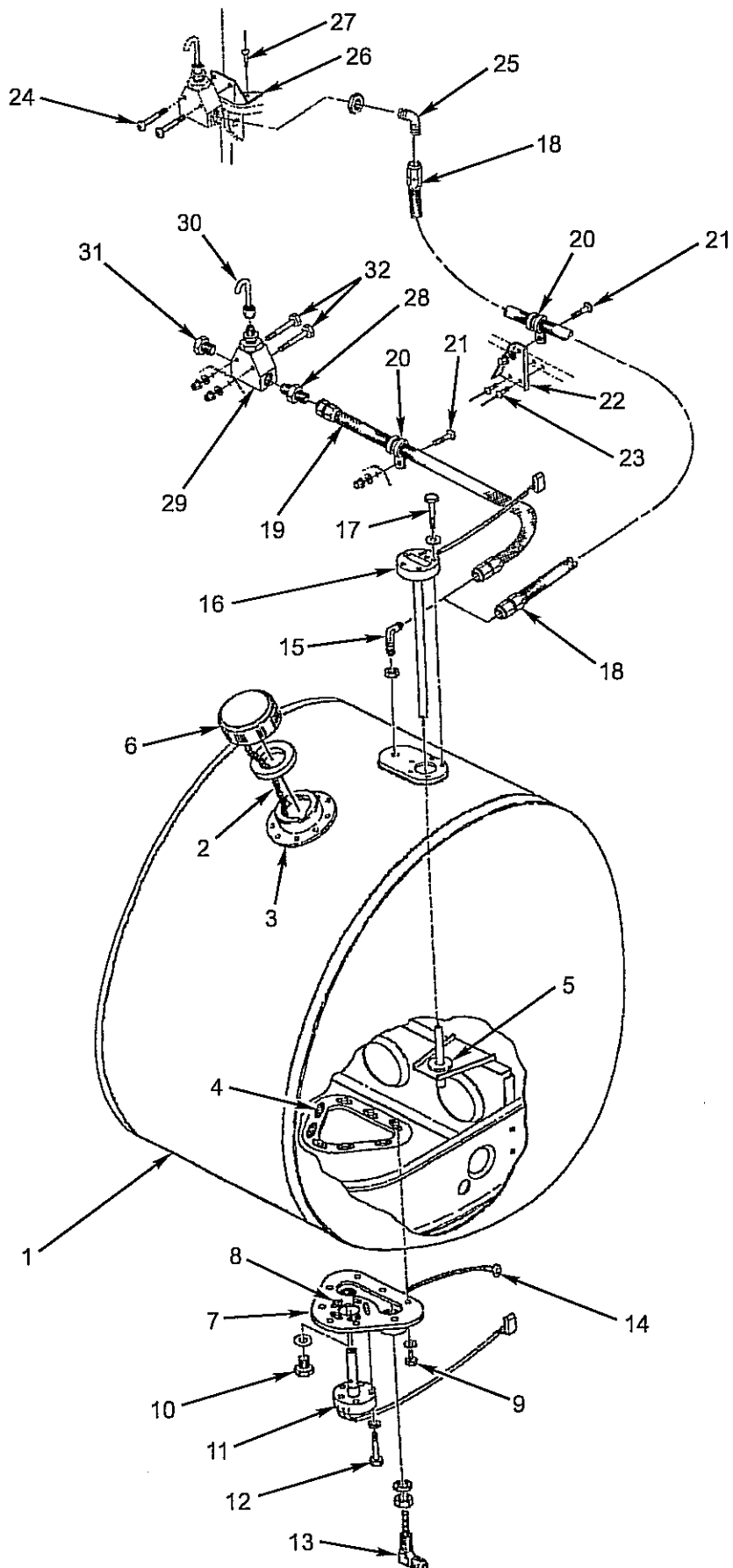


Figure 5-9. Fuel System Installation (269A8700)

FIGURE & INDEX NUMBER	PART NUMBER	DESCRIPTION	QTY PER ASSY	A/C SERIAL NUMBER AFFECTED
5-9	269A8700-1	FUEL SYSTEM INST.		1803 & Subs.
-31	AN806-D4	• PLUG	1	1810 & Subs.
-32	AN3-13A	• BOLT	2	1810 & Subs.
	AN960KD10L	• WASHER	2	1810 & Subs.
	MS21042-3	• NUT	2	1810 & Subs.

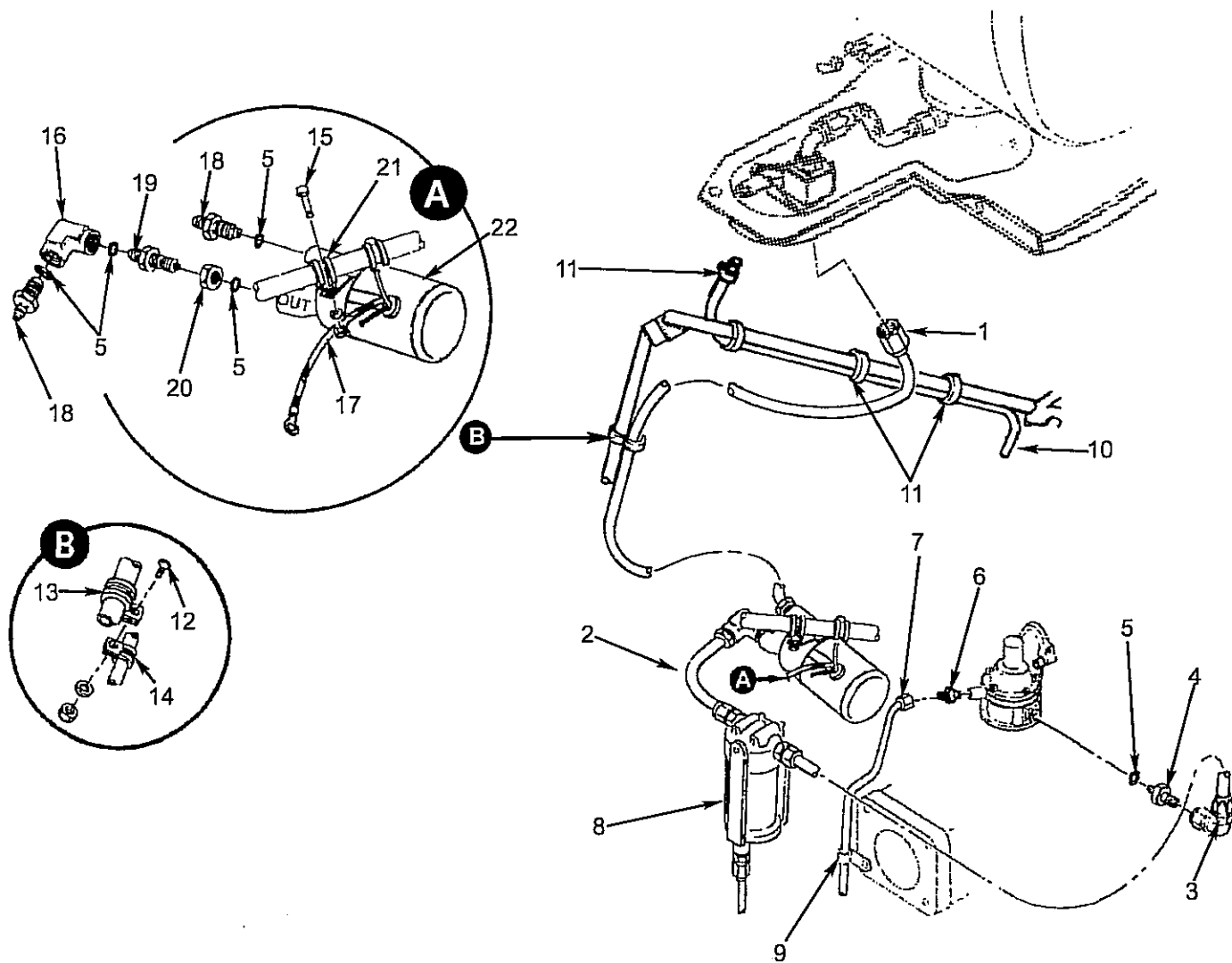


Figure 5-10. Fuel System Installation (Engine Connections)

FIGURE & INDEX NUMBER	PART NUMBER	DESCRIPTION	QTY PER ASSY	A/C SERIAL NUMBER AFFECTED
5-10	269A8700-1	FUEL SYSTEM INST.		1803 & Subs.
-1	269A8327-339	• HOSE ASSY	1	
-2	269A8326-241	• TUBE ASSY	1	
-3	269A8327-67	• HOSE ASSY	1	
-4	8-6SA-2	• REDUCER	1	
-5	MS29512-6	• O-RING	5	
-6	269A8308	• RESTRICTED FITTING.	1	
-7	269A8329-235	• TUBE ASSY	1	
-8	269A8313-7	• FUEL STRAINER (FIG. 5-11).	1	
-9	MS21333-98	• CLAMP	1	
-10	269A8700-113	• TUBE DRAIN	1	
-11	SST-21	• TIE STRAPS	6	
-12	AN525-10R11	• SCREW	1	
	AN960-10L	• WASHER	1	
	AN365-1032	• NUT	1	
-13	MS21919WDG12	• CLAMP	1	
-14	MS21919WDG10	• CLAMP	1	
-15	NAS464P4-3	• BOLT (ALT NAS1104-3D)	2	
	AN960KD416L	• WASHER	2	
	MS20364-428	• NUT	2	
-16	AN939-6D	• ELBOW	1	
-17	914-250-D	• CLAMP - FUEL PUMP	1	
-18	AN919-12D	• REDUCER	2	
-19	AN832-6D	• BULKHEAD UNION	1	
-20	AN924-6D	• NUT	1	
-21	MS21919DG12	• CLAMP	2	
-22	269A4090-1	• AUX FUEL PUMP ASSY	1	

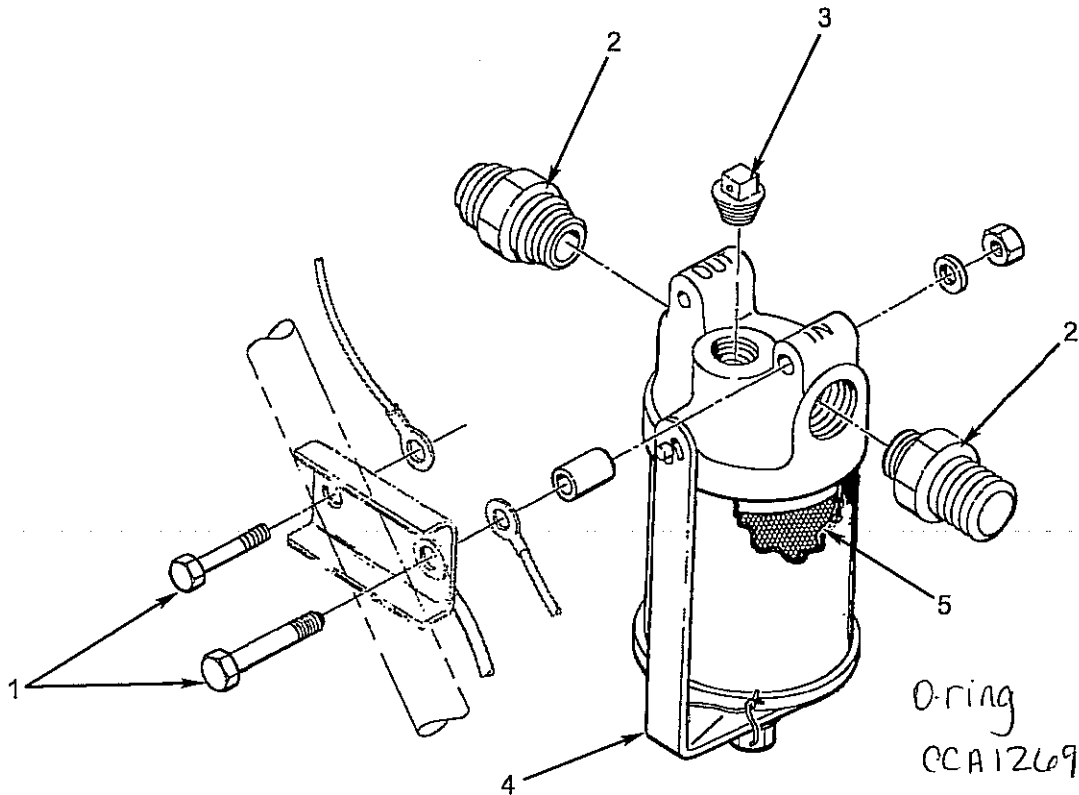
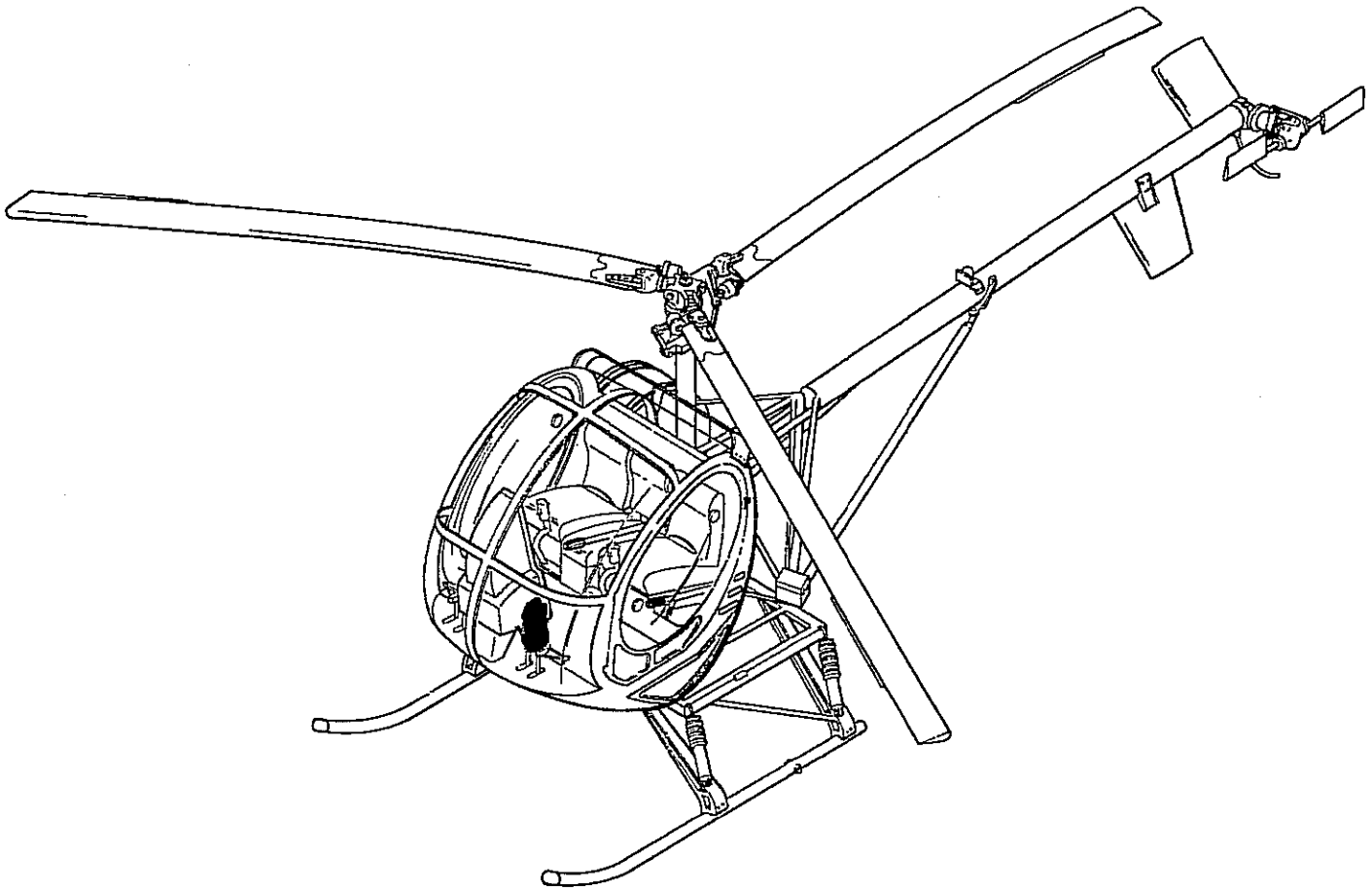


Figure 5-11. Fuel Filter Installation

FIGURE & INDEX NUMBER	PART NUMBER	DESCRIPTION	QTY PER ASSY	A/C SERIAL NUMBER AFFECTED
5-11	269A8313-7	FUEL FILTER INST.		
-1	NAS1304-25	• BOLT	1	
	NAS1304-26	• BOLT	1	
	NAS42DD-8-32	• BUSHING	2	
	AN960-416L	• WASHER	AR	
	AN365-1032	• NUT	2	
-2	AN816-8D	• NIPPLE	2	
-3	MS20913-1D	• PLUG	1	
-4	G199-105-5D	• FILTER ASSY	1	
-5	33-99-915	• FILTER SCREEN	1	
	33-199-6	• GASKET	2	
	33-199-36	• CLIP	1	

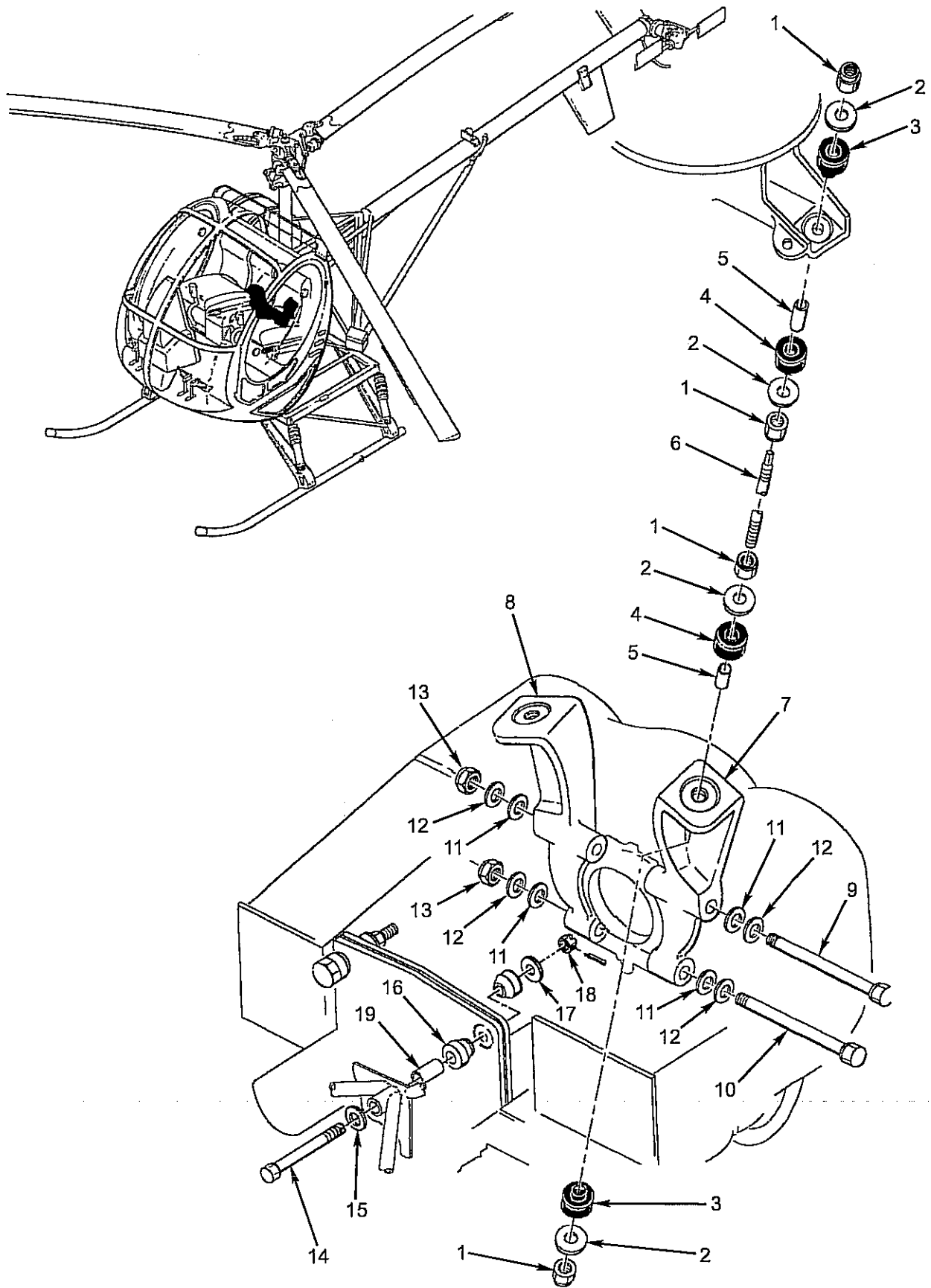


Figure 5-12. Engine Mount Installation

FIGURE & INDEX NUMBER	PART NUMBER	DESCRIPTION	QTY PER ASSY	A/C SERIAL NUMBER AFFECTED
5-12	269A8620 269A8609	ENGINE MOUNT INST.		
-1	MS20365-624	• NUT (ALT MS21044N6)	8	
-2	269A8603	• WASHER	8	
-3	269A8606	• ABSORBER - OUTER	4	
-4	269A8605	• ABSORBER - INNER	4	
-5	269A8616	• SPACER	4	
-6	269A8614	• ROD	2	
-7	269A8617	• HANGAR ASSY	1	
-8	269A8618	• HANGAR ASSY	1	
-9	NAS1306-103	• BOLT	1	
-10	NAS1306-79	• BOLT (ALT NAS626-79, MS21206C6 Washer Under Head)	1	
-11	SHS306-131H	• WASHER	4	
-12	AN960-616L	• WASHER (ALT AN960-616)	AR	
-13	42FW624	• NUT	2	
-14	NAS1308-55D	• BOLT	2	
-15	AN960-816L	• WASHER (ALT AN960-816)	AR	
-16	269A8610	• BUSHING	4	
-17	269A8615	• WASHER	2	
-18	AN320-8	• NUT	2	
	MS24665-304	• COTTER PIN	2	
-19	269A8611	• SPACER	2	

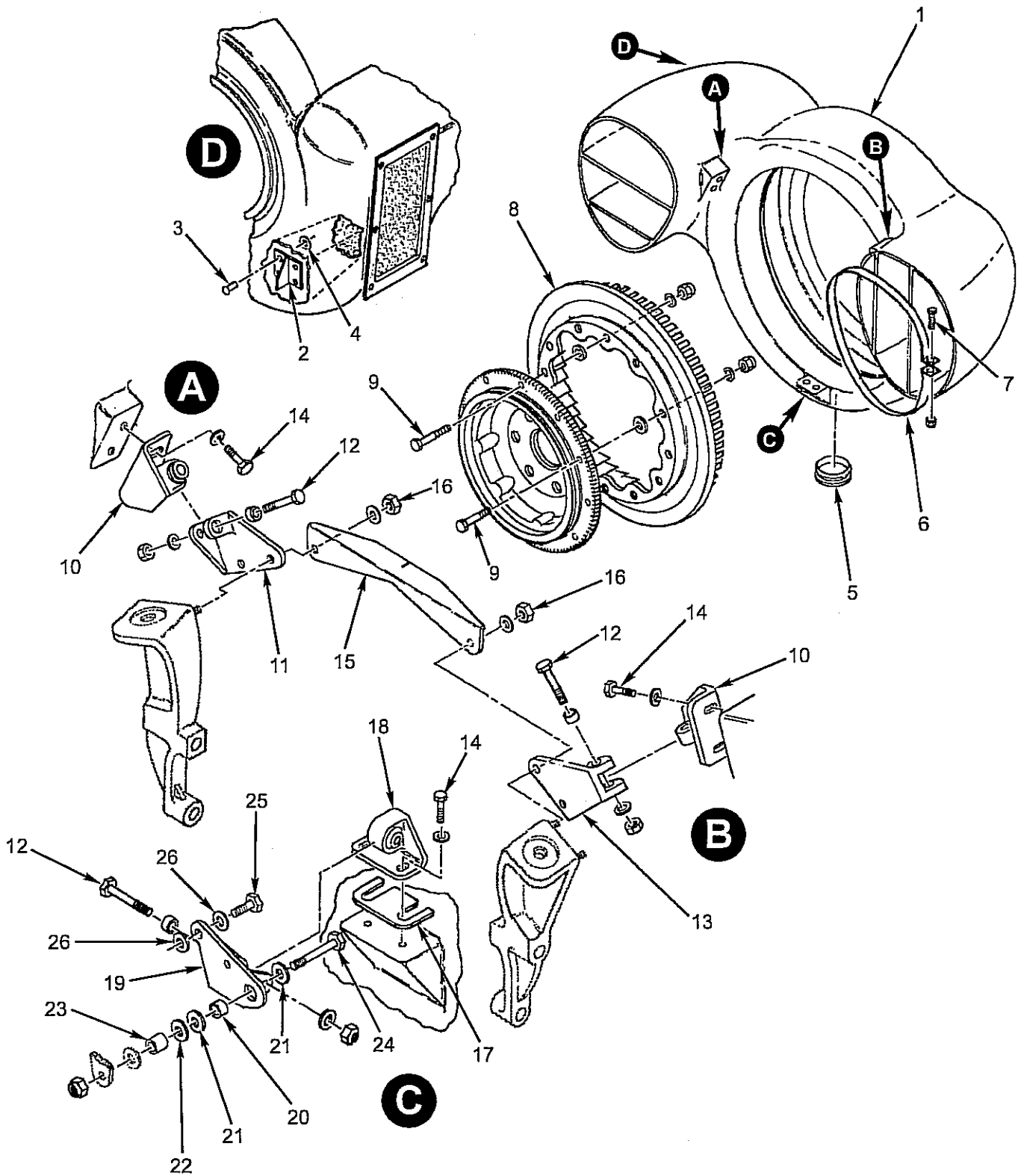


Figure 5-13. Scroll Assembly Installation

FIGURE & INDEX NUMBER	PART NUMBER	DESCRIPTION	QTY PER ASSY	A/C SERIAL NUMBER AFFECTED
5-13	269A8506	SCROLL ASSEMBLY INST.		
-1	269A8533-101	• SCROLL ASSY.	1	
-2	269A8208-3	•• BRACKET	1	
-3	AD42H	•• RIVET	4	
-4	AN960KD4	•• WASHER	4	
-5	269A8536	• PLUG	1	
-6	269A4685	• CLAMP	2	
-7	NAS603-12P	• SCREW	2	
	MS21044N3	• NUT	2	
-8	269A8527	• IMPELLER ASSY.	1	
-9	NAS1304-12	• BOLT	12	
	AN960KD416	• WASHER	12	
	MS21042-4	• NUT	12	
-10	269A8595	• BRACKET ASSY (ALT 269A8595-5)	2	
-11	269A8597	• BRACKET - R.H. SIDE	1	
-12	AN4-16A	• BOLT (ALT NAS1304-21)	3	
	SHS626-4-313	• BUSHING	3	
	SHS306-226H	• WASHER	3	
	MS21042-4	• NUT	3	
-13	269A8597-7	• BRACKET - L.H. SIDE	1	
-14	AN4-5A	• BOLT (ALT NAS1304-3)	6	
	AN960KD416L	• WASHER	6	
-15	269A8532	• BRACKET - TIMING	1	
-16	MS20365-1032	• NUT (ALT MS21042-3)	4	
	AN960KD10L	• WASHER	4	
-17	269A8506-7L	• SHIM	AR	
-18	269A8596	• BRACKET ASSY	1	
-19	269A8598	• BRACKET	1	
-20	SHS13SP498-378-187	• BUSHING	1	
-21	SHS306-231H	• WASHER	2	
-22	AN960-616	• WASHER (For Shimming)	AR	
-23	SHS13SP625-377-337	• BUSHING	1	
-24	AN6-16A	• BOLT (ALT NAS1306-21)	1	
	MS21042-6	• NUT	1	
-25	MS20074-05-06	• BOLT	1	
-26	SHS306-228H	• WASHER	2	

FIGURE & INDEX NUMBER	PART NUMBER	DESCRIPTION	QTY PER ASSY	A/C SERIAL NUMBER AFFECTED
5-14	269A8506	ENGINE COOLING SYSTEM		
-1	269A8593-5	• COVER - L.H. SIDE	1	
-2	2600-8	• • STUD	4	
-3	2600-S	• • WASHER	4	
-4	269A8593-3	• COVER - R.H. SIDE	1	
	2600-8	• • STUD	4	
	2600-S	• • WASHER	4	
-5	269A8555-5	• ROD - R.H. SIDE	1	
-6	269A8555-3	• ROD - L.H. SIDE	1	
-7	MS21042-3	• NUT	4	
-8	AN960KD10	• WASHER	AR	
-9	269A8556-5	• SPACER - R.H. SIDE	1	
-10	269A8556-3	• SPACER - L.H. SIDE	1	
-11	269A8507-17	• PANEL	1	
-12	269A8511-31	• PANEL	1	
-13	MS35489-17	• GROMMET	1	
-14	269A8517	• TUBE ASSY.	1	
-15	AN737TW38	• CLAMP	2	
-16	269A8516	• TUBE ASSY.	1	
-17	MS20604AD3	• BLIND RIVET	4	
-18	269A8554-3	• SEAL	2	
-19	269A8591-1	• PANEL ASSY.- R.H. SIDE	1	
-20	269A8592-1	• PANEL ASSY.- L.H. SIDE	1	
-21	269A8512-13	• PANEL ASSY.- R.H. SIDE	1	
-22	269A8508-31	• PANEL ASSY.- L.H. SIDE	1	
-23	PC-51542	• PLUG, BUTTON	1	
-24	269A8513-27	• PANEL	1	
-25	AN520-10R8	• SCREW	45	
	AN960KD10L	• WASHER	45	
-26	AN520-10R20	• SCREW	1	
	AN960KD10	• WASHER	2	
	NAS43HT3-32	• SPACER	1	
-27	269A8520-5	• DEFLECTOR ASSY - R.H. SIDE	1	
-28	269A8520-7	• DEFLECTOR ASSY - L.H. SIDE	1	
-29	MS35489-2S	• GROMMET	4	
-30	AN503-416-10	• SCREW	6	
	AN936B416	• WASHER, TOOTH LOCK	6	
-31	MS20074-04-03	• BOLT	6	
	SHS306-126	• WASHER	6	
-32	212-12D	• RECEPTACLE	8	
	MS20426AD3	• RIVET	16	
-33	A4972-6-02	• CLIP NUT	46	
-34	65614	• PLUG NUT (LYCOMING)	2	
-35	NAS1096-3-9	• SCREW	1	
	AN960-10L	• WASHER	1	
	STD-251	• LOCK WASHER (LYCOMING)	1	
-36	MS21919DG8	• CLAMP	1	

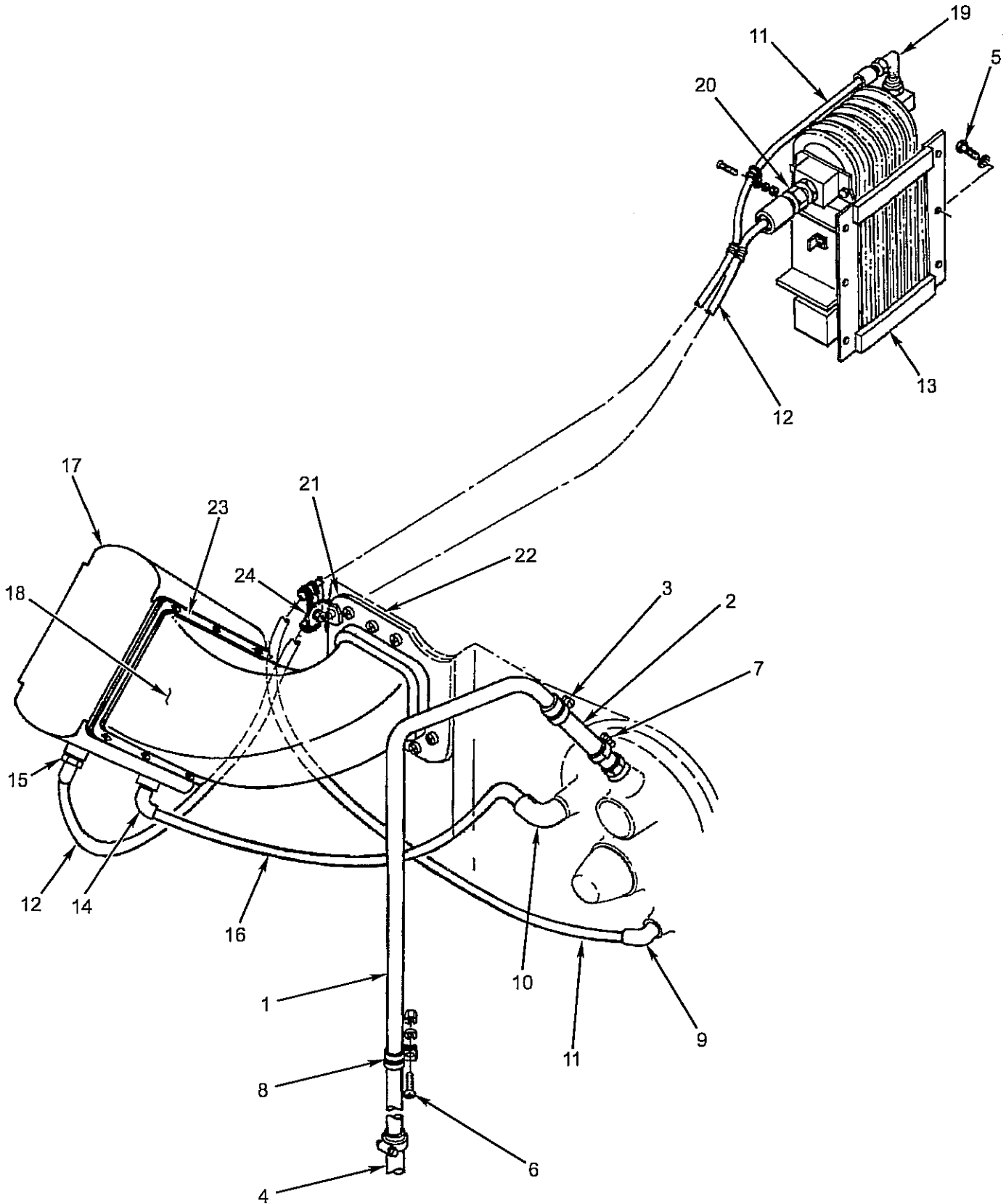


Figure 5-15. Lubrication System (SN 1166 thru 1724)

FIGURE & INDEX NUMBER	PART NUMBER	DESCRIPTION	QTY PER ASSY	A/C SERIAL NUMBER AFFECTED
5-15	269A8566 269A8580	LUBRICATION SYSTEM		1166 -1724
-1	269A8326-15	• TUBE	1	
-2	269A8327-21	• TUBE	1	
-3	AN737TW38	• CLAMP	1	
-4	269A8327-19	• TUBE	1	
-5	NAS1096-3-9	• SCREW	6	
	AN960KD10L	• WASHER	6	
-6	NAS221-9	• SCREW	1	
	AN960KD10L	• WASHER	1	
	MS21044N3	• NUT	1	
-7	269A4599	• CLAMP	1	
-8	MS21919DG12	• CLAMP	1	
-9	AN816-6-6D	• STRAIGHT FITTING	1	
-10	AN823-8D	• ELBOW	1	
-11	269A8327-155	• TUBE ASSY.	1	
	269A8326-241	• HOSE ASSY	1	1656 -1664 & 1666 -1667
-12	269A8327-131	• TUBE ASSY	1	
-13	8493B	• OIL COOLER (ALT 10655A)	1	
-14	AN833-8D	• ELBOW	1	
	MS29513-114	• O-RING (ALT MS29512-8)	1	
	AN924-8D	• NUT	1	
	8-6C50X-D	• FITTING ASSY, 90° (ALT 8-6C50X-S)	1	1656 -1664 & 1666 -1667
-15	AN919-12D	• REDUCER	1	
	MS29513-14	• O- RING (ALT MS29512-6)	1	
-16	269A8327-15	• TUBE ASSY.	1	
-17	269A4551	• OIL COOLER	1	1166 -1655
	AN520-10R8	• SCREW (ALT NAS 1096-3-9)	4	1668 -1724
	MS21042-3	• NUT	4	
	AN960KD10L	• WASHER	4	
	20543A	• OIL COOLER	1	1656 -1664 & 1666 -1667
-18	269A8575-15	• DUCT ASSY.	1	
	AN520-10R10	• SCREW	7	
	269A8575-17	• DUCT SUBASSY	1	
	269A8575-21	• SPLITTER	1	
	AD421-H	• POP RIVET	9	
	AN960KD4	• WASHER	9	
	269A8599-3	• DUCT ASSY	1	1656 -1664 & 1666 -1667
	269A8524-3	• BOOT ASSY.	1	1656 -1664 & 1666 -1667
	269A8527-7	• BACK-UP RING	1	1656 -1664 & 1666 -1667
-19	AN833-6D	• ELBOW	1	
	MS29512-6	• O-RING	1	
	AN924-6D	• NUT	1	

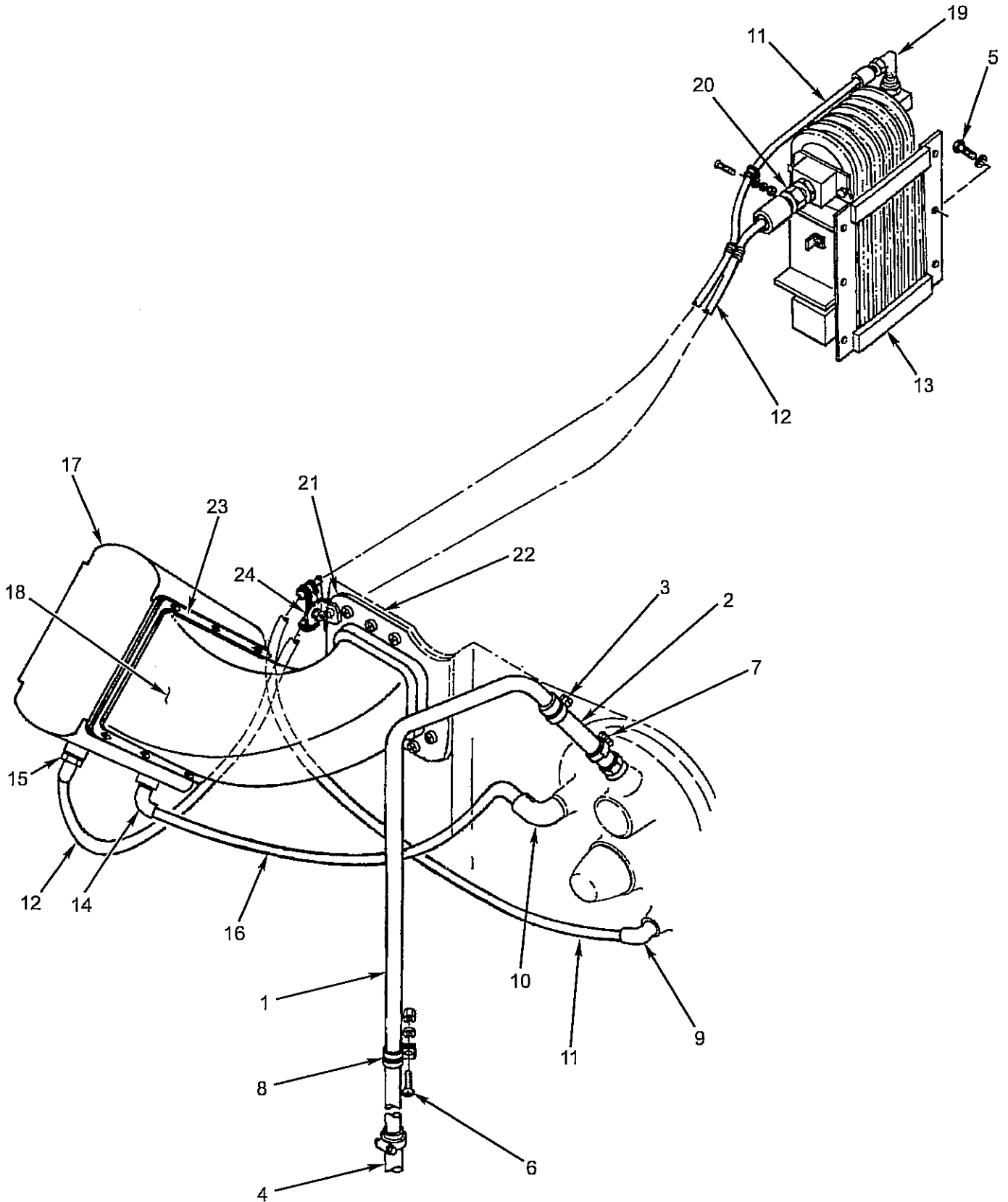


Figure 5-15. Lubrication System (SN 1166 thru 1724)

FIGURE & INDEX NUMBER	PART NUMBER	DESCRIPTION	QTY PER ASSY	A/C SERIAL NUMBER AFFECTED
5-15	269A8566 269A8580	LUBRICATION SYSTEM		
-20	AN815-8D	• UNION	1	
	MS29512-8	• O-RING	1	
-21	269A8576	• MOUNTING RING	1	
-22	269A8578	• GASKET	1	
-23	269A8569T	• BOLT RING	1	
	URA3	• RECEPTACLE	6	
	MS20426 AD3	• RIVET	12	
	UA3T15	• STUD	6	
	GH3	• GROMMET	6	
	NAS1096-3-9	• SCREW (ALT AN520-10R10)	6	1656 -1664 & 1666 -1667
	AN960KD10L	• WASHER	6	1656 -1664 & 1666 -1667
	MS21042-3	• NUT	6	1656 -1664 & 1666 -1667
-24	269A8566-13	• CLIP	1	

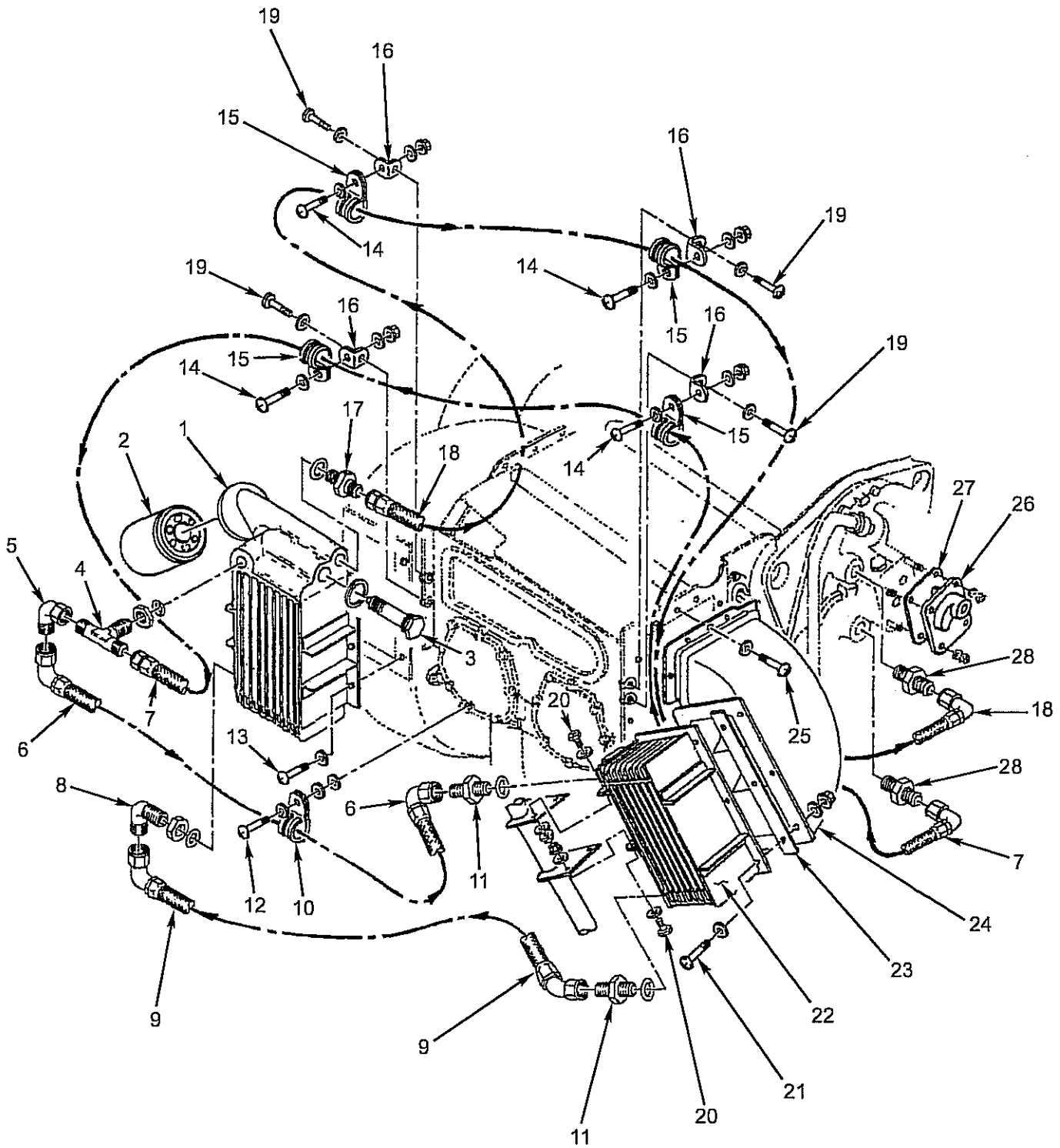


Figure 5-16. Lubrication System (SN 1725 & Subs)

FIGURE & INDEX NUMBER	PART NUMBER	DESCRIPTION	QTY PER ASSY	A/C SERIAL NUMBER AFFECTED
5-16	269A8566-21	LUBRICATION SYSTEM (SN 1725 & Subs) NOTE: This system is available as a kit (SA-269K-077-01), contact Schweizer Customer Service for details.		1725 & Subs.
-1	20596A	• PRIMARY OIL COOLER	1	
-2	CH48108	• OIL FILTER.	1	
-3	269A8625-1	• THERMOSTATIC BYPASS VALVE (ALT 75944)	1	
	76510	• GASKET	1	
-4	269A8454-1	• TEE FITTING	1	
	AN924-8D	• NUT	1	
	MS29512-08	• PACKING (ALT MS29513-114)	1	
-5	8C6X-S	• ELBOW FITTING	1	
-6	269A8327-249	• HOSE ASSEMBLY	1	
-7	269A8327-253	• HOSE ASSEMBLY	1	
-8	AN833-8D	• ELBOW FITTING	1	
	AN924-8D	• NUT	1	
	MS29512-08	• PACKING (ALT MS29513-114)	1	
-9	269A8327-245	• HOSE ASSEMBLY	1	
-10	MS21919DG10	• CLAMP (ALT MS21919WDG10)	1	
-11	AN815-8D	• UNION	2	
	MS29512-08	• PACKING (ALT MS29513-114)	2	
-12	STD1925	• SCREW	1	
		• LOCK WASHER	1	
	AN960-416	• WASHER	3	
-13	NAS1096-3-9	• SCREW	6	
	AN960KD10L	• WASHER	6	
-14	NAS1096-3-9	• SCREW	4	
	AN960KD10L	• WASHER	8	
	MS21042-3	• NUT	4	
-15	MS21919DG14	• CLAMP (ALT MS21919WDG14)	4	
-16	269A8566-13	• ANGLE	4	
-17	AN815-10D	• FITTING.	1	
	MS29512-10	• PACKING	1	
-18	269A8327-257	• HOSE ASSEMBLY	1	
-19	AN520-10R10	• SCREW	4	
	AN960KD10L	• WASHER	4	
-20	AN520-10R8	• SCREW (ALT NAS1096-3-9)	4	
	AN960KD10L	• WASHER	AR	
	MS21042-3	• NUT	4	
-21	NAS1096-3-9	• SCREW (ALT NAS603-10P)	6	
	AN960KD10L	• WASHER	12	
	MS21042-3	• NUT	6	
-22	20555A	• AUXILIARY OIL COOLER	1	
-23	269A8580-7	• SEAL.	2	
-24	269A8599-3	• DUCT ASSY	1	
-25	AN520-10R10	• SCREW	7	
	AN960KD10L	• WASHER	7	
-26	21M21643	• COVER	1	
-27	06B21644	• GASKET	14	
-28	10-6FTX-SS	• ADAPTER FITTING	2	

This page is intentionally left blank.